

Heater™ **Sandlot 2-in-1**

Instructions

Follow All Instructions Before Assembling Or Using This Product

IMPORTANT

DO NOT RETURN THIS PRODUCT TO THE RETAIL STORE WHERE
PURCHASED. **CALL TOLL FREE: (800) 492-9334**

WARNING:

Improper use of this product can result in serious injury. Read and follow the instructions for the proper and safe use of the Sandlot 2-in-1. Always wear a helmet with a guard. Adult supervision is required. Inspect the Perfect Swing, rubber bands, base, clamps, etc., before each use for evidence of any damage. Keep the area clear within 24 ft. of the device and around the swinging area of the batter. Always hit the ball toward an open unoccupied area. Make sure all knobs and clamps are tightly and securely fastened. Never hit toward another person. Do not use if damaged or broken.

Heater®
SPORTS

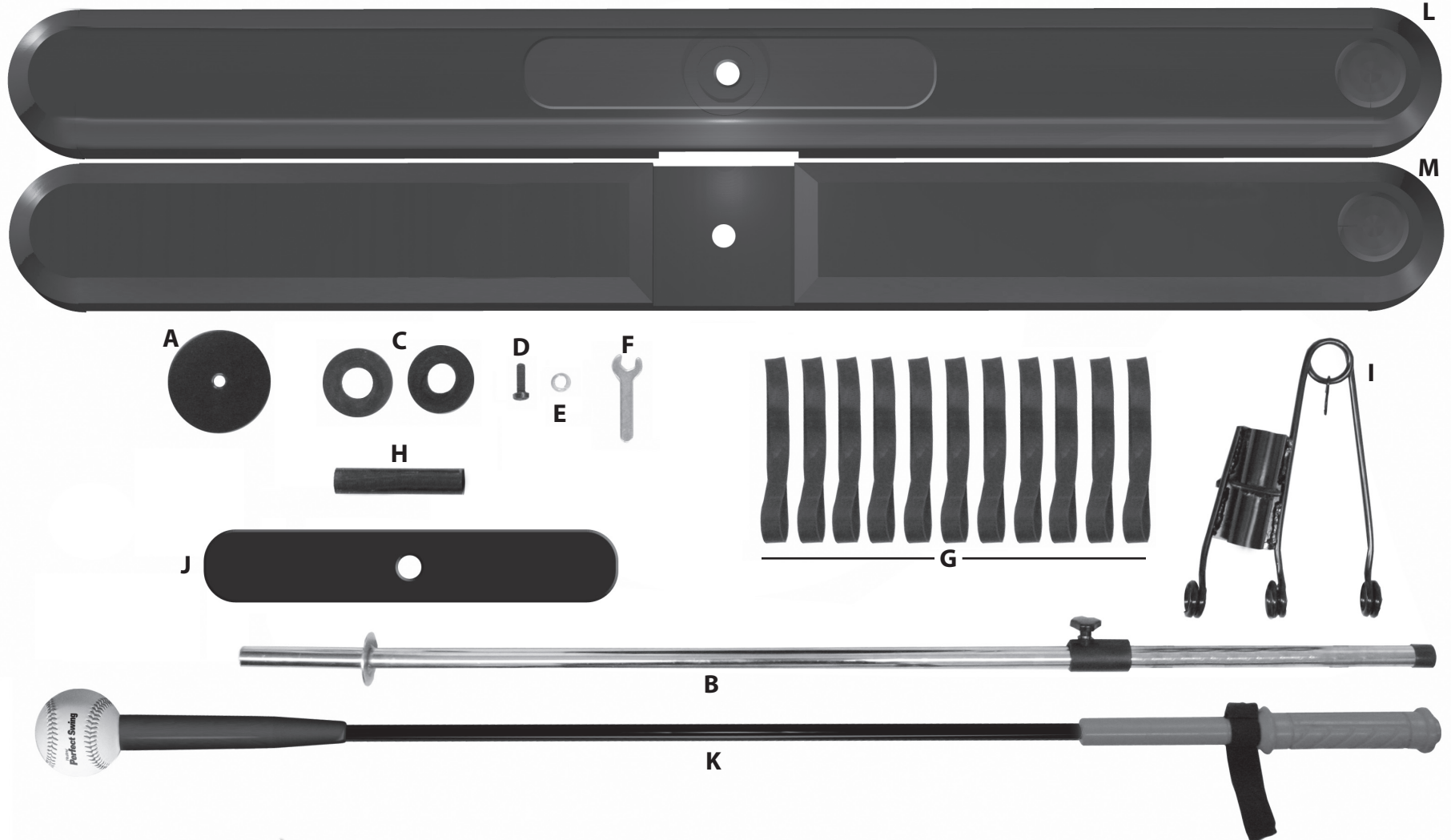
Part List

Model# SNDLT2IN1

A - Large Metal Washer
B - Center Pole
C - Rubber Washer (x2)
D - Base Bolt

E - Lock Washer
F - Bolt Wrench
G - Tension Rubber Bands (x10)
H - Base Insert Tube

I - Swivle/Handle Clamp
J - Support Plate
K - Perfect Swing Batting Stick
L - Base Part 1
M - Base Part 2



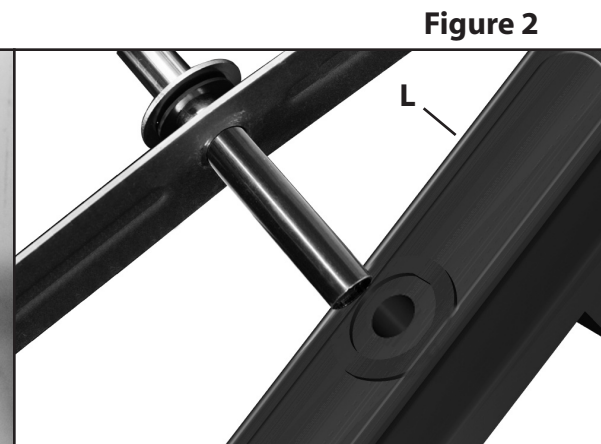
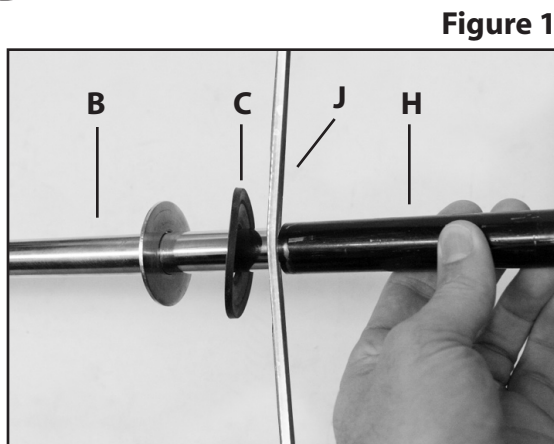
Heater
SPORTS

95 West 650 South • St. George, Utah 84770 • PH: 800-492-9334 • PH: 435-656-1756 • Fax: 435-688-0741

Assembly Instructions

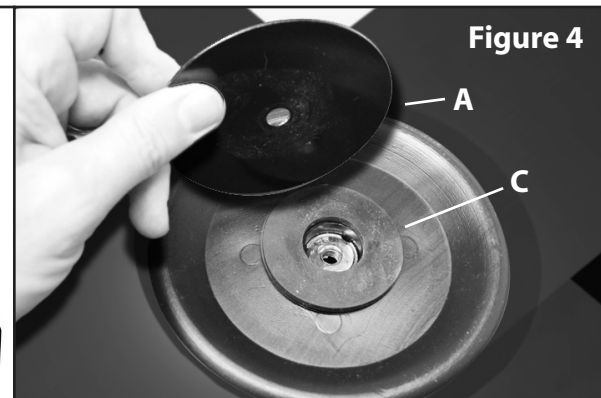
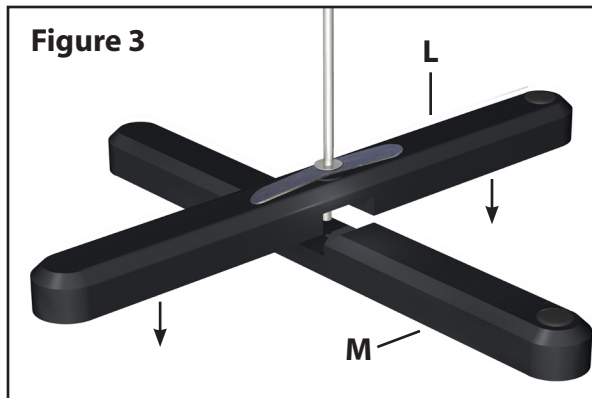
- 1 - Slide one of the **Part C** (Rubber Washers) over the bottom end of **Part B** (Center Pole). Slide **Part J** over the pole end next. Position the slight bend in **Part J** towards the top end of the pole (Part B) as seen in **Figure 1**.

Then slide **Part H** (Base Insert Tube) over the bottom end of the pole (Part B). Insert the bottom end of **Part B** into the top of the center hole of the Base **Part L** as seen in **Figure 2**.



- 2 - Align Base **Part L** and Base **Part M** so that the Pole and Insert Tube line up. Push the base parts together. **Figure 3**. *Make sure the Support Plate (Part J) aligns with the groove in the base.*

Now place **Part C** (Rubber Washer) and **Part A** (Large Metal Washer) on the bottom side of the Base over the center hole as seen in **Figure 4**.



- 3 - Place **Part E** (Lock Washer) on top of **Part A** and insert **Part D** (Base Bolt) through the washers and into Part B in the bottom of the Base as seen in **Figure 5**.

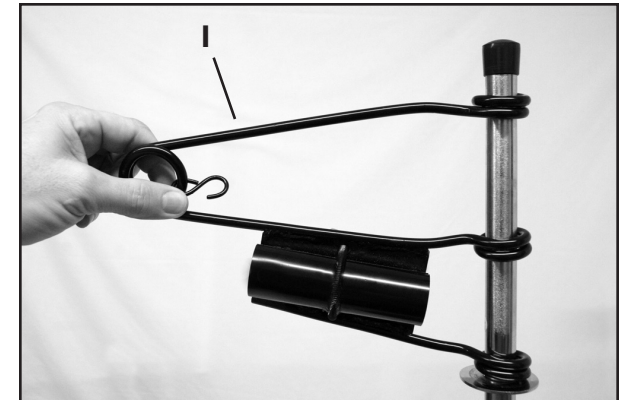
Securely tighten **Part D** with the supplied Bolt Wrench (Part F). **NOTE:** Tighten the Bolt enough to keep the pole from twisting when the ball is hit. **Do Not Overtighten the Bolt.**

The Bolt should not touch the ground when the base is placed upright.



Assembly Instructions Cont.

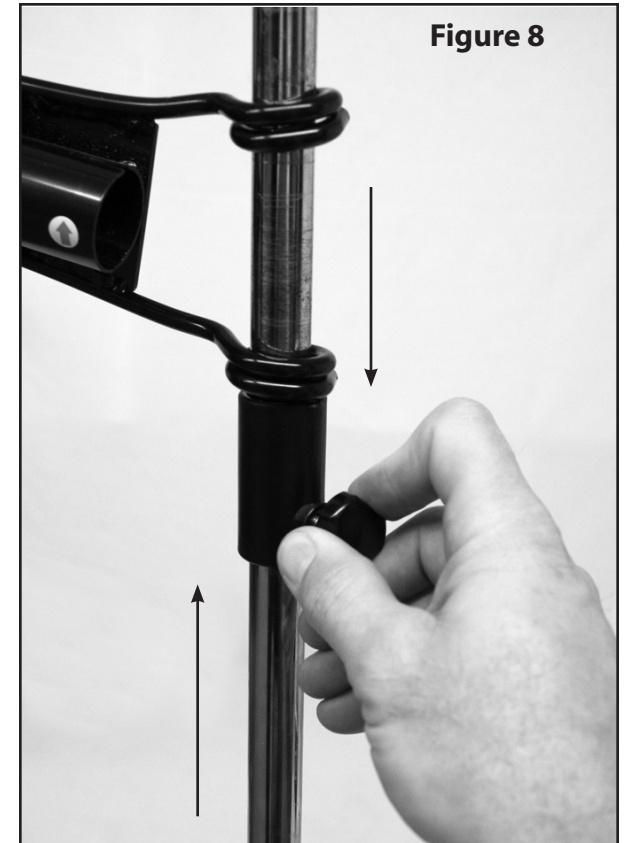
4 - Remove the Rubber Cap on the Center Pole (Part B) and Slide the Swivle/ Handle Clamp (Part I) on to the Center Pole & then replace the Rubber Cap. **Figure 7.**



5 - To adjust the height of the Batting Stick loosen the knob on the adjustment collar attached to the center pole. Then slide the adjustment collar on the B - Center Pole, into the position you desire. **Figure 8.**

Tighten the knob securely after selecting the proper height.

Then allow the Swivle/Handle Clamp holder to rest on top of adjustment collar. As seen in **Figure 8.**



Assembly Instructions Cont.

6 - Next wrap two **Part Gs** (Tension Rubber Bands) around **Part H**. Begin by pulling one end of the **Rubber Band** through the loop of the opposite end as shown in **Figure 7**.

Note: Make sure to use two **Rubber Bands** for the necessary spring back strength.

*(The **Sandlot 2-in-1** comes with ten tension rubber bands, from time to time it may be necessary to replace worn or broken rubber bands. Just follow the instructions on this page to replace them as needed.)*

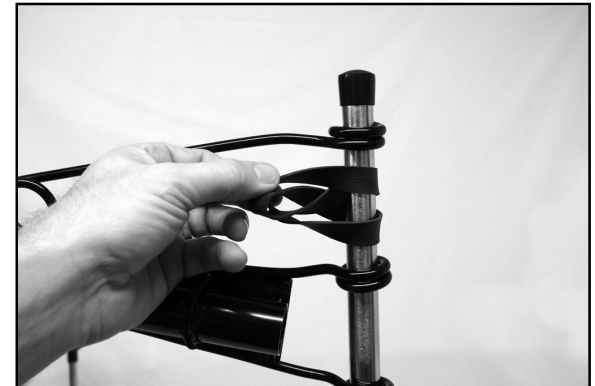


Figure 9

7- After wrapping the **Rubber Band** around the pole, pull the free end until you can hook the **Rubber Band** over the **"S" Hook** as shown in **Figure 8**.



Figure 10

8- After attaching the **Rubber Bands** to the **"S" Hook** make sure the rubber bands around the pole are pulled tight to keep them from sliding around the pole when hit.

If the rubber bands still slide around the pole you may want to use black tape to secure the **Rubber Bands** to the **Pole** by taping over the Rubber Bands and Pole where the two join.

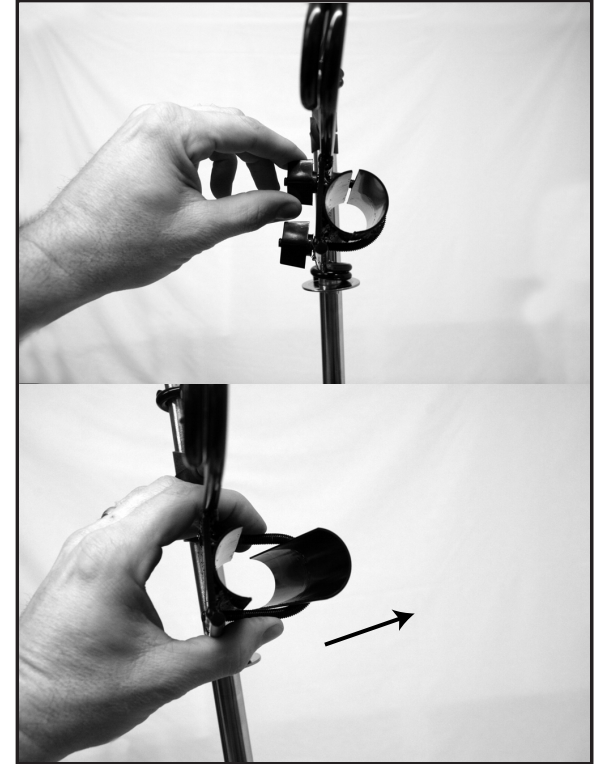
This will keep the Rubber Bands in place when the bands are not tight around the pole. **See Figure 9**.



Assembly Instructions Cont.

- 9 - With the **Tension Rubber Bands (Part G)** attached, remove both knobs and lock washers from the "U" shaped clamp on **Part 1**. See **Figure 12**.

Figure 12



With the two knobs and lock washers removed, slide the "U" shaped side of the clamp off of the fixed side of the clamp. See **Figure 12**.

- 10 - After removing the clamp place the handle of the **Perfect Swing** batting stick into the clamp and replace the "U" shaped side of the clamp.

Note: Make sure the handle of the **Perfect Swing** is centered so that the clamp will fit perfectly around the grip and hold securely.

Important: Make sure to position the **Perfect Swing** so that the **safety strap** attached to the ball end of the Perfect Swing is on the back side of the ball and neck, facing away from the hitter.

Figure 13

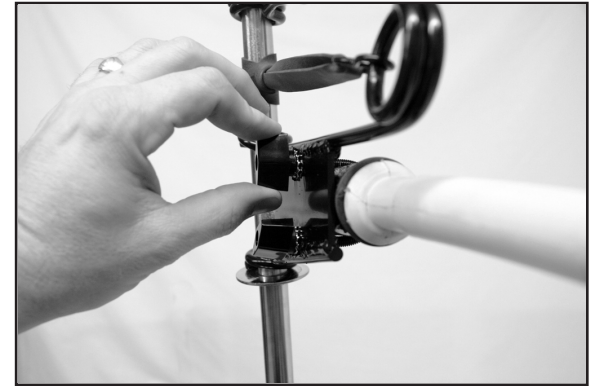


Assembly Instructions Cont.

11 - Once the clamp is in position with the **Perfect Swing** batting stick inserted, replace the lock washers and the knobs and tighten until the batting stick is securely in place. See **Figure 14**.

Note: You may wrap the **wrist strap** of the **Perfect Swing** through the eye of the swivel and around the clamp knobs. Keeping the wrist strap away from the swivel function.

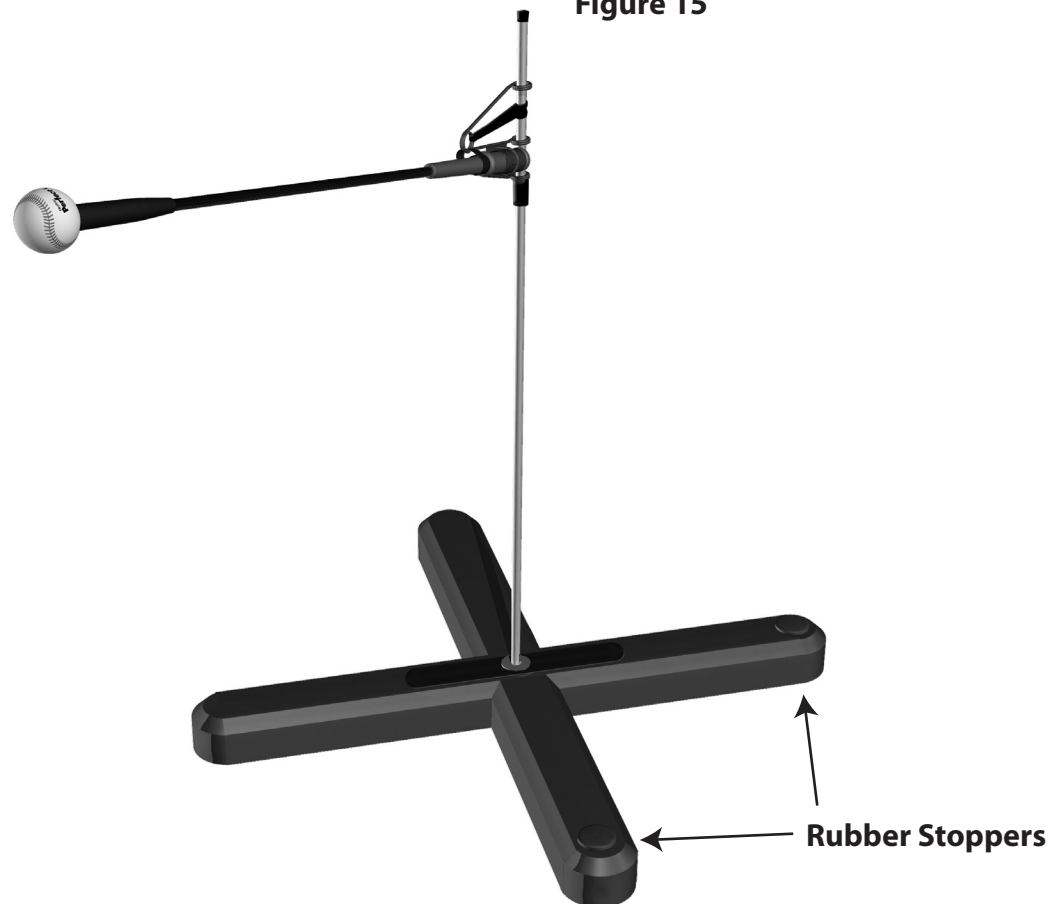
Figure 14



12 - The **Sandlot 2-in-1** can be used on hard surfaces, grass and dirt. Simply remove the **Rubber Stoppers** in the **Base** and fill the **Sandlot 2-in-1** with water, sand or cement. Water or sand will be sufficient for most children under 12 years of age. Cement may be necessary for older children and adults.

This will help to keep the **Sandlot 2-in-1** stationary swing after swing.

Figure 15



Instructions For Use

- The batter should take a position where the point of contact is on the ball of the **Perfect Swing** batting stick. Avoid contact to the shaft of the batting stick as this may cause damage to the device.
- Multiple **Tension Rubber Bands** are provided with the **Sandlot 2-in-1**. After repeated use the **Rubber Bands** may become weak or break. Simply replace the worn bands when needed.

Do not use the **Sandlot 2-in-1** without the necessary **Rubber Bands**. This may cause undue stress on the **Base** and **Pole**.

- The **Sandlot 2-in-1** is basically two training devices in one. You can remove the **Perfect Swing** batting stick and use it as a two person training stick.

Hold the **Perfect Swing** batting stick with both hands using the strap to secured the batting stick to the wrist. Position the ball in the desired location for the batter to hit. The holder should not fight the momentum of the contact but rather go with it.

Follow all instructions and warnings when using these products.

