



# OWNER'S MANUAL

## Base Hit<sup>®</sup> Real Baseball Pitching Machine

[www.HeaterSports.com](http://www.HeaterSports.com)

**Model No. BH199**

**Serial No. \_\_\_\_\_**

Write the serial number in the space above for reference.

### ACTIVATE YOUR WARRANTY

To register your product and activate your warranty, call 1-800-492-9334

### CUSTOMER CARE

For customer service inquiries, please call our toll free line at 1-800-492-9334.

### CAUTION

Read all precautions and instructions in this manual before using this product. Keep this manual for future reference.

Instructions Date: 12/2021

Version: 00001



**DO NOT RETURN TO STORE, CALL 1-800-492-9334**

# Read Before Operating!

## IMPORTANT

**Never use or leave the machine in rain/moisture.  
Doing so can ruin the machine & void its warranty.**

**The Base Hit pitching machine throws real regulation balls; however, the accuracy of the Base Hit depends on the quality, hardness and type of balls you use in this machine!**

**Heater Sports recommends** using heater pitching machine balls in the Base Hit machine. These balls have been precisely crafted to provide you with hours of accurate, trouble free batting and fielding practice. Other brand of balls have not been tested in the Base Hit and cannot be validated as sufficient and safe.

### **Heater Pitching Machine Balls**

**Heater pitching machine balls are recommended for use with the Base Hit machine.** These balls are incredibly accurate, long lasting, and produce the fastest ball speed.

### **Warning About Leather Baseballs:**

The Base Hit pitching machine works well with real leather balls; however, accuracy will vary more than with pitching machine balls because the seams on leather balls cause the machine to pinch the ball differently on each pitch. Be sure and use real leather balls with low-profile seams, not simulated leather balls. Batters should be aware at all times.

### **Known problems with simulated (synthetic) leather covered balls . . .**

#### **Simulated (synthetic) Leather Baseballs:**

Simulated leather balls are inexpensive seamed balls that don't work well in the Base Hit machine. During operation, portions of the simulated leather cover comes off the ball and attaches to the wheels of the Base Hit. Also, during operation, consumers have reported seeing small puffs of smoke coming out of the Base Hit. These puffs are not smoke, but actual pieces of the simulated leather ball being turned into small dust particles as they pitch out of the Base Hit pitching machine.

**If balls get wet, they will not pitch properly until they dry.**

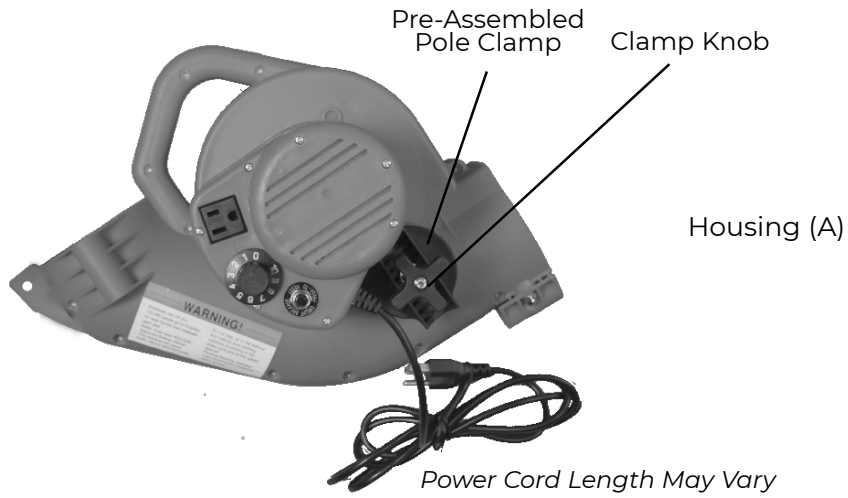
#### **Known facts about different balls:**

The speed and accuracy of each pitch is dependent on the hardness, roundness, and type of each ball used.

For example: If you have 12 balls and four are softer than the others (these balls will throw lower than the other balls), if four are harder than the others (these balls will throw higher than the other balls), and if four are not round (these balls will throw inside and outside). This could leave the user with the impression that the Base Hit pitching machine is inaccurate which is not correct.

# PARTS

*\*Replacement Parts Available by Calling Heater Sports*



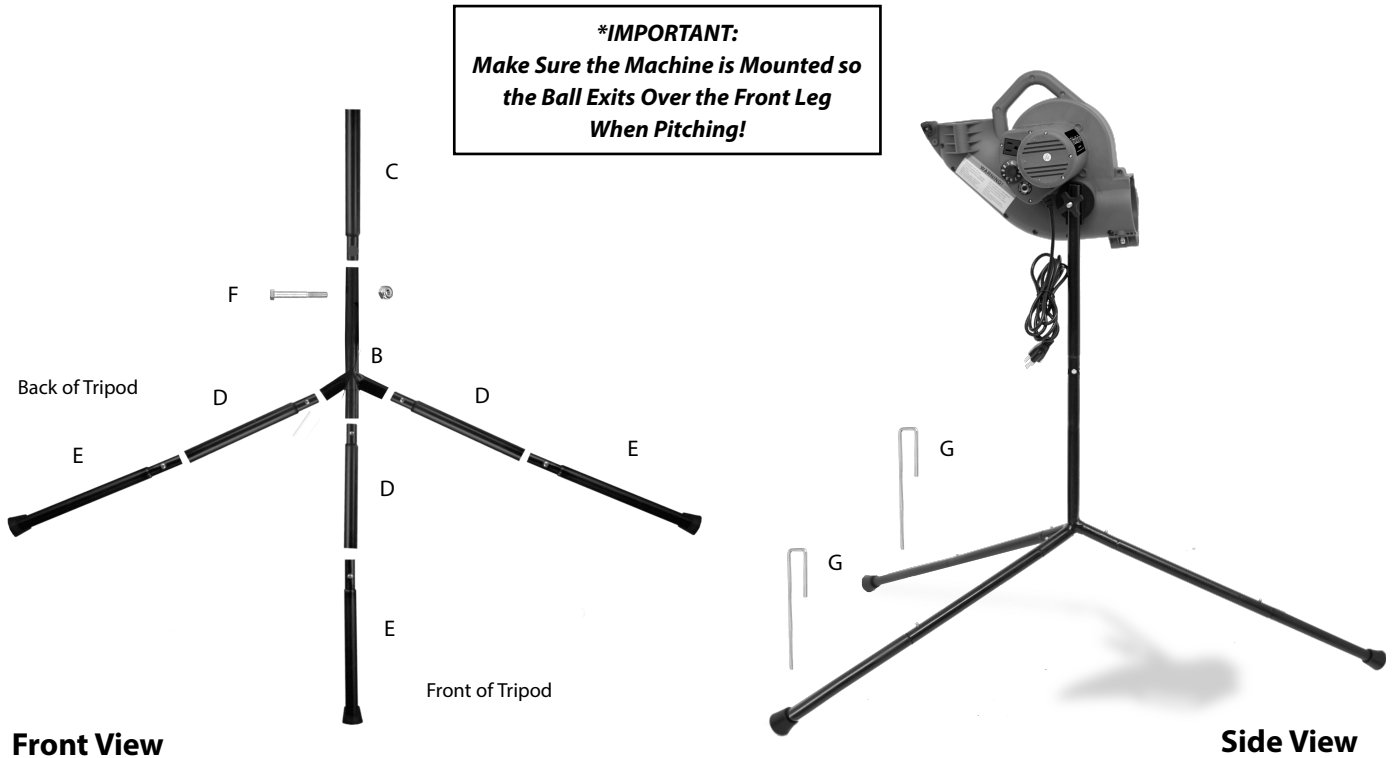
# TRIPOD ASSEMBLY

Insert Top Legs (3x D) in to bottom of Tripod (B), making sure the push pins lock in place.

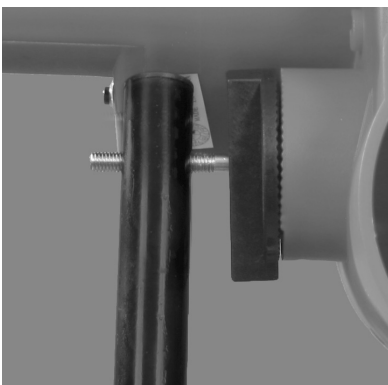
Next, insert Bottom Leg (3x E) in to bottom of Top Legs (D), also making sure push pins lock in place.

Lastly, insert Top Pole (C) into the top of Tripod (B), securing it tightly with Top Pole Hardware (F).

\*For added stability on soft surfaces, position the Ground stakes (2x G) on the back legs to lock in place.



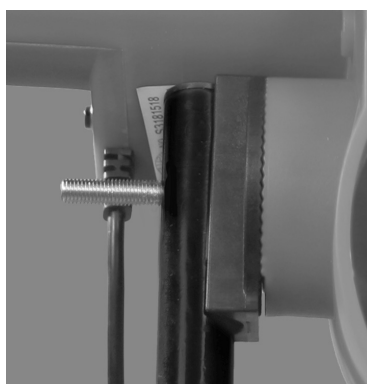
# HOUSING ASSEMBLY



1:

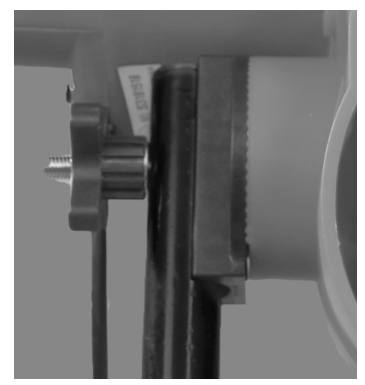
Position Tripod so front of Tripod is facing you.

Next, insert the Long Bolt attached to machine through the right side of the Tripod and out the other side.



2:

Slide the Machine Housing (A) close to the Tripod, making sure the Tripod fits inside the Pre-Assembled Housing Clamp.



3:

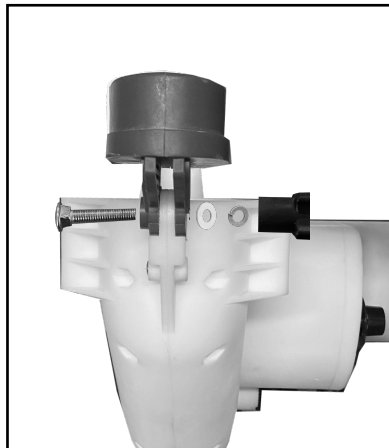
Slide Flat Washer (1st) and Lock Washer (2nd) on to the Long Bolt, then tighten the Knob on to Long Bolt until machine is placed in the desired pitching position.

# BALL FEEDER ASSEMBLY



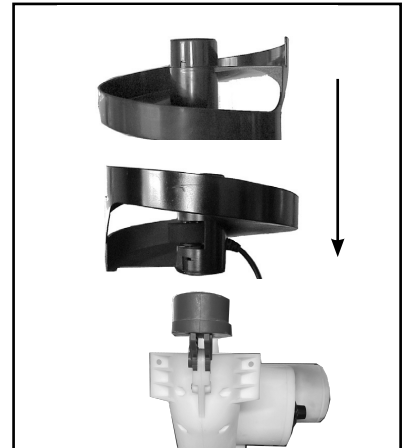
1:

Assemble Ball Feeder Port To Ball Entry End of Machine By Lining Up Holes on Port With Holes on Machine.



2 :

Install Ball Feeder Port Hardware With Carriage Bolt, Flat Washer, Lock Washer, and Knob



3:

Stack Bottom & Top Trays On The Feeder Port. Be Sure to Interlock the Port & Feeder Slots For A Snug Fit.

## WARNINGS

**IMPORTANT: THIS PRODUCT IS TO BE USED BY ADULTS ONLY.**

**KEEP HANDS AND ALL BODY PARTS AWAY FROM BALL EXIT! SERIOUS HAND AND BODILY INJURY MAY RESULT IF USED INCORRECTLY!**

**MAKE SURE EVERY PERSON AND EVERYTHING IS CLEAR OF PITCHING MACHINE BALL PATH!**

**TURN PITCHING MACHINE VARIABLE SPEED CONTROL KNOB OFF (COUNTER CLOCKWISE UNTIL IT CLICKS) TO THE "0" POSITION WHILE REFILLING THE BALL FEEDER OR RETRIEVING BALLS!**

**MAKE SURE MACHINE IS PITCHING AT DESIRED TARGET BEFORE ALLOWING BATTER TO START BATTING!**

**POWER CORDS OVER 20 FT. CAN CAUSE MACHINE TO LOSE ENERGY & NOT OPERATE PROPERLY!**

### WARNING!

- Do not put hands or fingers in pitching machine.
- Make sure all persons are clear of the ball path and away from pitching machine before pitching any ball.
- Make sure you pitch only one ball at a time.
- Make sure all balls are out of machine before turning the pitching machine on.
- Do not stand in front of pitching machine.
- Do not operate in moisture.
- This machine can cause serious bodily injury if used incorrectly.
- For adult operation only.
- Batter must wear NOCSAE Approved Batting Helmet.

### WARNING!

- Only use dimpled pitching machine balls to pitch to batters. Pitching machines that use a wheel to throw balls will throw real balls inaccurately because of the seams on the ball and may hit a batter and cause physical injury.
- Always have legs set on the on the ground before pitching to a batter or the Base Hit Pitching Machine may move and hit the batter causing serious physical injury.
- Make sure you pitch only one ball at a time.
- Pitching Machine Operator must stand behind protective safety screen.

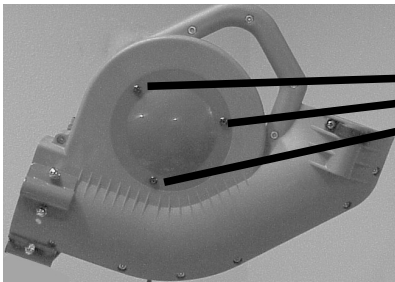
**Heater**  
**BaseHit**

Estimated Speed Settings

Dial #	Lite Ball MPH				Real Ball MPH	
<b>2</b>	8	12	12	16	14	
<b>4</b>	16	24	24	34	22	
<b>6</b>	24	36	36	50	30	
<b>8</b>	32	48	48	66	38	
<b>10</b>	40	60	60	80	45	

# PRE-OPERATION

**WARNING:**  
**MAKE SURE MACHINE IS UNPLUGGED AND THE TIRE IS NOT SPINNING WHILE CHECKING**



## **Pre-Operation #1**

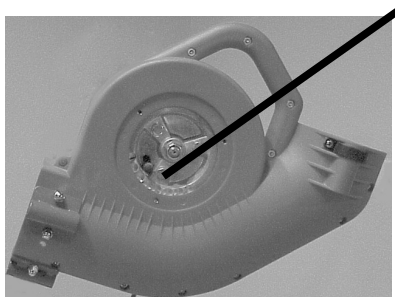
Locate Allen Wrench (provided in package) and unscrew (3) three wheel cover screws.

## **\*\*Important:**

Periodically inspect the tire to make sure it's not worn out or punctured. Serious damage could result if operated in this condition.

**\*\*OPTION 1: FOR MACHINES WITH AIR FILLED TIRE: Follow Pre-Operation Instructions Below.**

**\*\*OPTION 2: FOR MACHINES WITH SOLID TIRE: Skip This Section**



## **Pre-Operation #2**

You'll see both the Tire & Hub have a BLACK magic marker line drawn on them. These two lines should connect, as if they are one line. This ensures the machine's tire is in balance and will perform correctly. If the two lines are not touching, let all your air pressure out of the tire and rotate the tire on the hub until they do touch exactly.

Next, locate a tire pressure gauge (not provided) and check tire pressure. Tire pressure should be between 40 - 50 lbs. If tire pressure reads low, use an air pump to inflate the tire. If tire pressure reads high, decrease the air pressure by pushing down the air stem bubble located in the middle of the air stem.



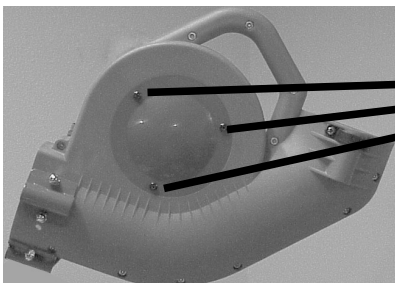
## **\*\*Important:**

If tire isn't balanced, it will vibrate and sound loud.

## **Pre-Operation #3**

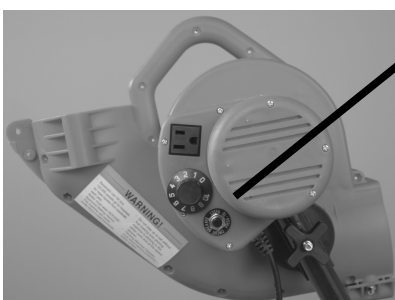
Locate Allen Wrench (provided in package) and secure Wheel Covers back on machine by tightening (3) three Wheel Cover Screws.

**Warning - Serious Bodily Injury:** Never operate the BaseHit Pitching Machine until Wheel Covers are secured on the machine with the (3) three Wheel Cover Screws.



## **Fuse Re-Set Button**

The BaseHit Pitching Machine has a fuse reset button which is designed to protect the electronic circuit in the machine. If the machine will not turn on, check this button to make sure it is not popped out. If it is popped out, press it back in to reset the fuse circuit breaker. This should allow the BaseHit to operate safely again.



# OPERATION

## CAUTION!

**USE HEATER PITCHING MACHINE BALLS FOR THE MOST ACCURATE PITCH POSSIBLE. PITCHING MACHINES THAT USE A WHEEL TO THROW BALLS WILL NOT THROW REAL BALLS AS ACCURATE BECAUSE OF THE SEAMS ON THE BALL.**

**IMPORTANT: THIS PRODUCT IS TO BE USED BY ADULTS ONLY. MAKE SURE MACHINE IS TURNED OFF BEFORE ASSEMBLY! KEEP HANDS AND ALL BODY PARTS AWAY FROM BALL EXIT! SERIOUS HAND AND BODILY INJURY MAY RESULT IF USED INCORRECTLY!**

- Step 1: Ensure pitching machine variable speed control knobs both show "0".
- Step 2: Plug pitching machine into 3 prong power outlet (Make sure pitching machine wheel is not spinning.)
- Step 3: Aim pitching machine at desired target and make sure every person and everything is clear of pitching machine ball path.
- Step 4: Turn variable speed control knob on to desired speed setting.
- Step 5: Make sure ball is pitching in desired zone before allowing a batter to step up to hit.
- Step 6: Adjust pitch height by loosening the Pitch Height Adjustment Knob and rotating the Housing to desired location. Re-tighten when done.
- Step 7: Once balls are done pitching, turn both machine & ball feeder (if purchased separately) off before collecting balls to ensure no bodily injury occurs.



# ACCESSORIES (Sold Separately)



Visit  
[www.HeaterSports.com](http://www.HeaterSports.com)



## PowerAlley 40 MPH Lite Balls

6 Lite Baseballs Model# HSO14

PowerAlley 40 MPH Lite Balls are designed for ages 3-8 or players who desire a slower pitch speed. These balls are optic orange color to help young players see the ball hit their bat. Soft enough for indoor or outdoor use, these balls are great for young players for perfecting their hand-eye coordination.



## PowerAlley 80 MPH Lite Balls

6 Lite Baseballs Model# HSG14

PowerAlley 80 MPH Lite Balls are designed for ages 10-16 or players who desire a fast pitch speed. These balls are optic green color to help older players see the ball hit their bat. Recommended for outdoor use, these balls are great for advanced players for perfecting their hand-eye coordination.



## PowerAlley 45 MPH Real Balls

6 Real Baseballs Model# PAPMB29

Heater Dimpled Balls are made from durable polyurethane and pitch with pin-point accuracy. Heater Pitching Machine Baseballs are the most accurate and durable baseballs available and are recommended for use by Heater Sports. Boasting a long life, Heater Dimpled Baseballs are the only balls you'll ever need.



## PowerAlley 22' Home Batting Cage

22' x 12' x 8' Model# PA199

PowerAlley Home Batting Cage is 22' x 12' x 8' and combines to allow you to create additional lengths of 44 feet, or longer. The PowerAlley attaches directly to the machine to provide maximum safety. Now, you can hit over 100 balls in under 15 minutes. Don't waste

time driving to find a ball park, retrieving balls, and getting frustrated. Get your PowerAlley Home Batting Cage today to become the best player you can be in the fastest time possible!

# Heater<sup>®</sup> SPORTS

95 West 650 South  
St. George, UT 84770  
1.800.492.9334  
[www.HeaterSports.com](http://www.HeaterSports.com)  
[MoreInfo@HeaterSports.com](mailto:MoreInfo@HeaterSports.com)