



# ***Read This Before Operating The BaseHit***

## **IMPORTANT OPERATING INSTRUCTIONS**

**THE ACCURACY OF THE BASEHIT PITCHING MACHINE DEPENDS ON THE QUALITY, HARDNESS AND TYPE OF BALLS USED WITH THIS PRODUCT!**

**TREND SPORTS RECOMMENDS USING HEATER PITCHING MACHINE BALLS TO TEST THE BASEHIT'S ACCURACY AND PITCH SPEED. THESE BALLS ARE PRECISELY CRAFTED TO PROVIDE YOU WITH HOURS OF ACCURATE, TROUBLE FREE BATTING AND FIELDING PRACTICE.**

### **BaseHit Pitching Machine Balls**

**Heater Pitching Machine Balls are recommended for use with the BaseHit Pitching Machine.** These balls are the most accurate, long lasting, and produce less wear and tear on the BaseHit Pitching Machine. ... For peak performance, please purchase at least one dozen of these balls. This will improve your satisfaction with the BaseHit Pitching Machine. ...

**IF BALLS GET WET, THEY WILL NOT PITCH PROPERLY UNTIL THEY DRY.**

### **KNOWN FACTS ABOUT DIFFERENT BALLS:**

The speed and accuracy of each pitch is dependent on the hardness, roundness, and type of each ball used.

For example: If you have 12 balls and four are softer than the others (these balls will throw lower than the other balls), if four are harder than the others (these balls will throw higher than the other balls), and if four are not round (these balls will throw inside and outside). THIS LEAVES THE USER WITH THE IMPRESSION THE BASEHIT PITCHING MACHINE IS INACCURATE WHICH IS NOT CORRECT.

### **KNOWN PROBLEMS WITH THE FOLLOWING TYPES OF BALLS . . .**

#### **Simulated leather balls:**

These balls are usually a cheap, inexpensive ball and don't pitch very fast with the BaseHit. Because of the plastic simulated leather on these balls, consumers have thought the BaseHit was shooting out puffs of smoke. This is incorrect. The puffs of smoke come from these balls because every time they run through the machine, part of the cover gets turned into small dust particles and makes the consumer think these particles are puffs of smoke coming from the BaseHit; wherein reality, the puffs of dust (or sometimes confused as smoke) are actually coming from the simulated leather balls.

#### **Real leather balls:**

The BaseHit Pitching Machine should perform to your satisfaction as long as you purchase new, real leather balls. However, the accuracy of these balls vary more than with Heater Pitching Machine balls because of the seams on real balls.

# BaseHit™

## Pitching Machine Instructions

### IMPORTANT

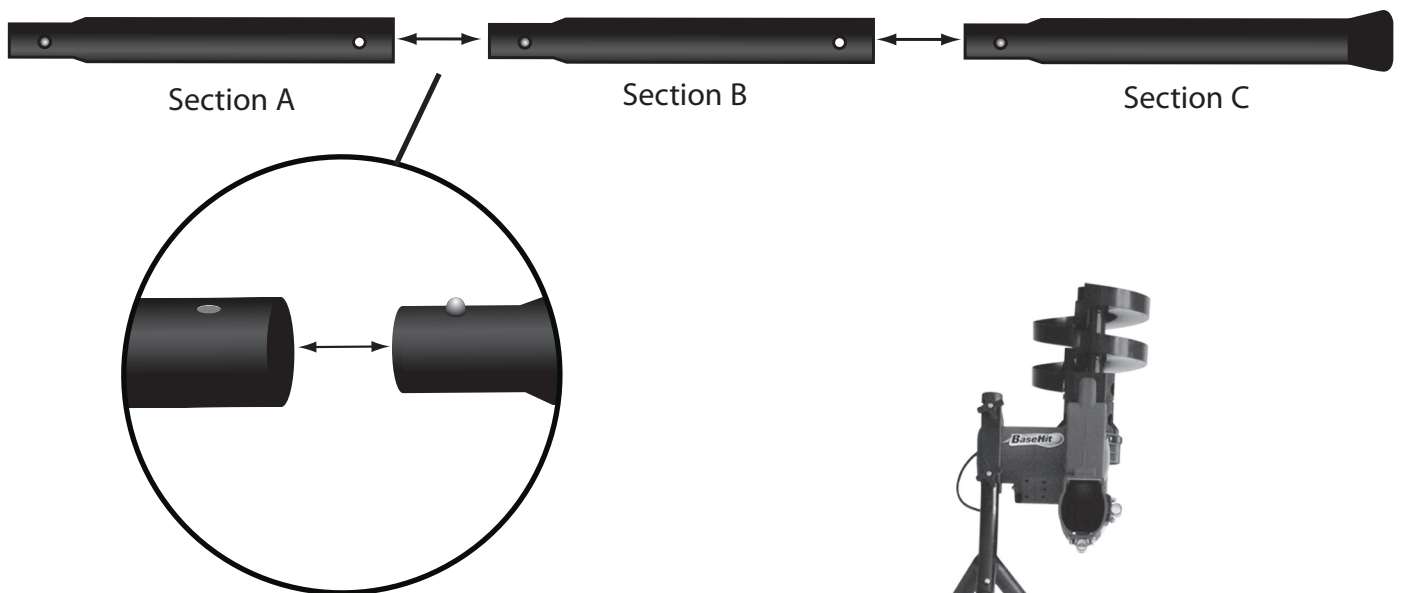
**DO NOT RETURN THIS PITCHING MACHINE TO THE RETAIL STORE WHERE PURCHASED.  
CALL TOLL FREE: (800) 492-9334.**

### **WARNING:**

THIS PRODUCT IS TO BE USED BY ADULTS ONLY. MAKE SURE MACHINE IS TURNED OFF BEFORE ASSEMBLY! KEEP HANDS AND ALL BODY PARTS AWAY FROM BALL ENTRY AND EXIT! SERIOUS HAND AND BODILY INJURY MAY OCCUR IF USED INCORRECTLY!

### **BASEBALL PITCHING MACHINE LEG ASSEMBLY**

**STEP 1:** Slide Sections A - B - C Together. Lock the sections together by making sure the push pins line-up with each adjoining hole and lock into place.



### **WARNING: USE BACK LEG STAKES**

**BaseHit Movement:** The BaseHit may re-coil when a ball is pitched. This may cause the BaseHit to move slightly and hit a batter.

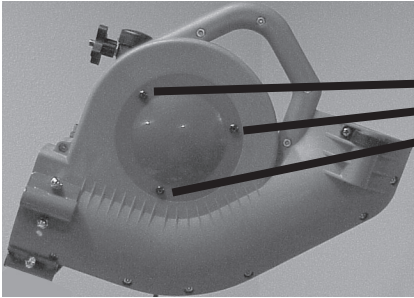
To stabilize the BaseHit, simply slide the hook of one Back Leg Stake (2X enclosed) over each of the two back legs of the BaseHit and pound each stake into the ground. This will stabilize the movement of the Pitching Machine and eliminate re-coil movement.



# Pre-Operating Instructions

## Check The Air Pressure In The BaseHit Pitching Machine Tire.

**Warning:** Make sure BaseHit Pitching Machine is unplugged and the tire is not spinning during these operations.

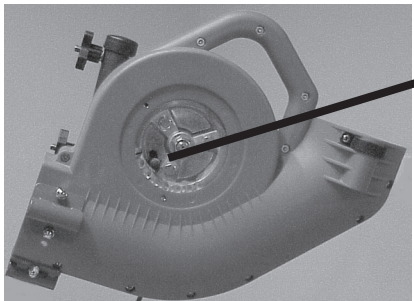


### **Pre-Operation #1**

Locate Allen Wrench (provided in package) and unscrew (3) three Wheel Cover Screws.

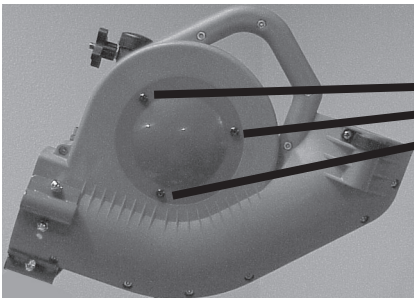
### **Important:**

**Periodically inspect the tire to make sure it is not worn out, flat, or punctured. Also make sure hub mark and tire mark are aligned to avoid balance problems. Serious damage could result if operated in any of these conditions.**



### **Pre-Operation #2**

Use a Tire Pressure Gauge and check tire air pressure. Tire pressure should be between 45 - 50 lbs. psi. If tire pressure reads low, use an air pump to inflate the tire to 45 - 50 lbs. psi. If tire pressure reads high, decrease the air pressure by pushing down the air stem bubble located in the middle of the air stem. •Inspect the air pressure periodically to make sure air pressure is still within the 45 - 50 lbs. psi range. •



### **Pre-Operation #3**

Locate Allen Wrench (provided in package) and secure Wheel Cover back on machine by tightening (3) three Wheel Cover Screws.

**Warning - Serious Bodily Injury:** Never operate BaseHit Pitching Machine until Wheel Cover is secured with the (3) three Wheel Cover Screws.

## Check BaseHit Fuse Reset Button

### **Fuse Re-Set Button**

The BaseHit Pitching Machine has a fuse reset button which is designed to protect the electronic circuit in the BaseHit Pitching Machine. If the BaseHit will not turn on, check this button to make sure it is not popped out. If it is popped out, press it back in to reset the fuse circuit breaker. This should allow the BaseHit to operate properly.



# BaseHit™

## Baseball Pitching Machine Instructions

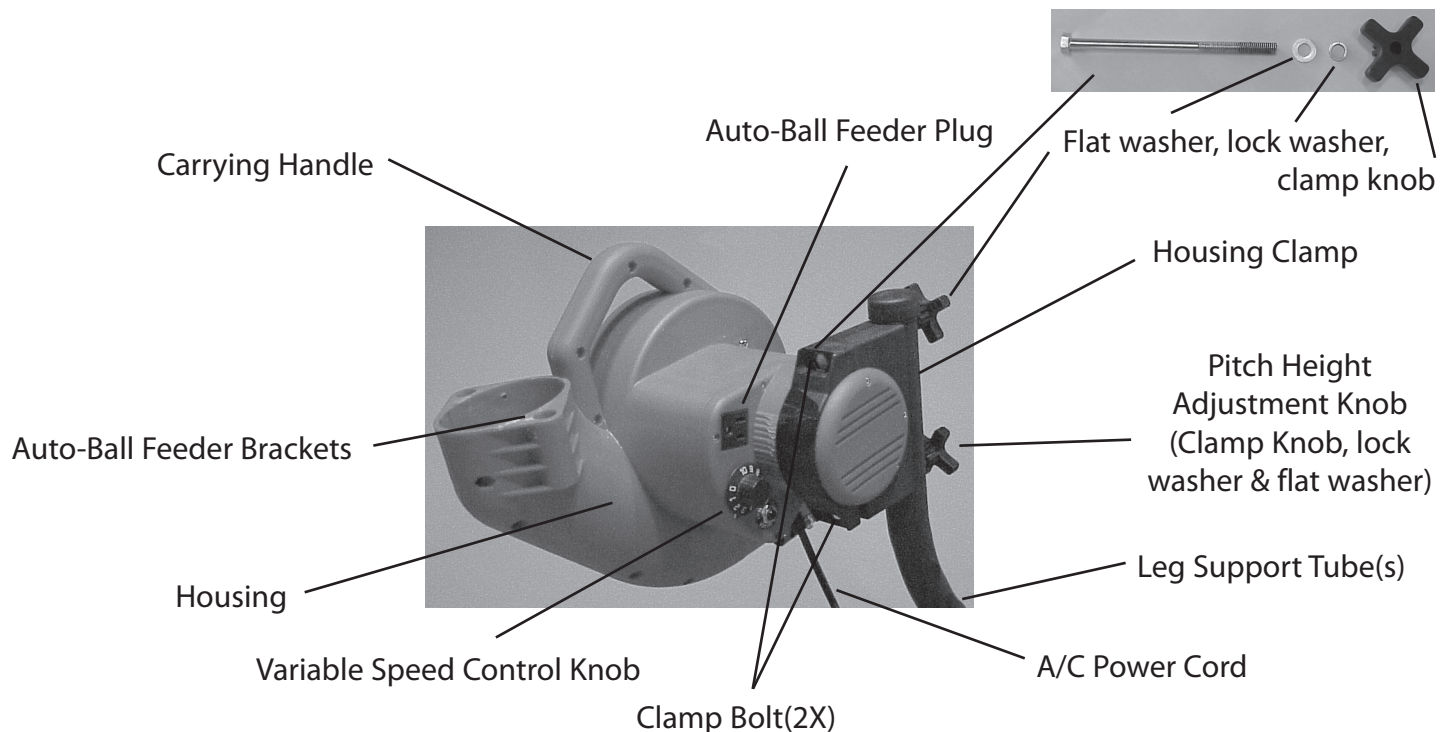
### **WARNING! WARNING! WARNING!**

**USE REAL BASEBALLS IN THIS MACHINE AT YOUR OWN RISK!**

**IT IS RECOMMENDED THAT YOU ONLY USE DIMPLED PITCHING MACHINE BASEBALLS TO PITCH TO BATTERS. PITCHING MACHINES THAT USE A WHEEL TO THROW BASEBALLS WILL THROW REAL BASEBALLS INACCURATELY BECAUSE OF THE SEAMS ON THE BALL AND MAY HIT A BATTER AND CAUSE PHYSICAL INJURY!**

**IMPORTANT: THIS PRODUCT IS TO BE USED BY ADULTS ONLY. MAKE SURE MACHINE IS TURNED OFF BEFORE ASSEMBLY! KEEP HANDS AND ALL BODY PARTS AWAY FROM BALL EXIT! SERIOUS HAND AND BODILY INJURY MAY RESULT IF USED INCORRECTLY!**

- Step 1: Make sure every person and everything is clear of pitching machine ball path.
- Step 2: Turn pitching machine variable speed control knob off (counter-clockwise until it clicks) "0" position.
- Step 3: Bolt housing clamp to leg support tube by inserting clamp bolt(2X) through clamp hole(2X) & leg support clamp hole(2X).
- Step 4: Slide flat washer(2X) & lock washer(2X) over bolt(2X) and tighten clamp knob(2X).
- Step 5: Slide steel legs into leg support tubes.
- Step 6: Plug A/C power cord into 3 prong power outlet.
- Step 7: Aim pitching machine at desired target.
- Step 8: Turn variable speed control knob on (clockwise to approximately #3 on speed control).
- Step 9: Pitch a ball & rotate speed control knob to desired estimated speed.
- Step 10: Adjust pitch height by loosening the pitch height adjustment knob (bottom knob) and rotating the housing to desired location. Re-tighten pitch height adjustment knob.
- Step 11: Make sure machine is pitching at desired target before allowing batter to start batting.

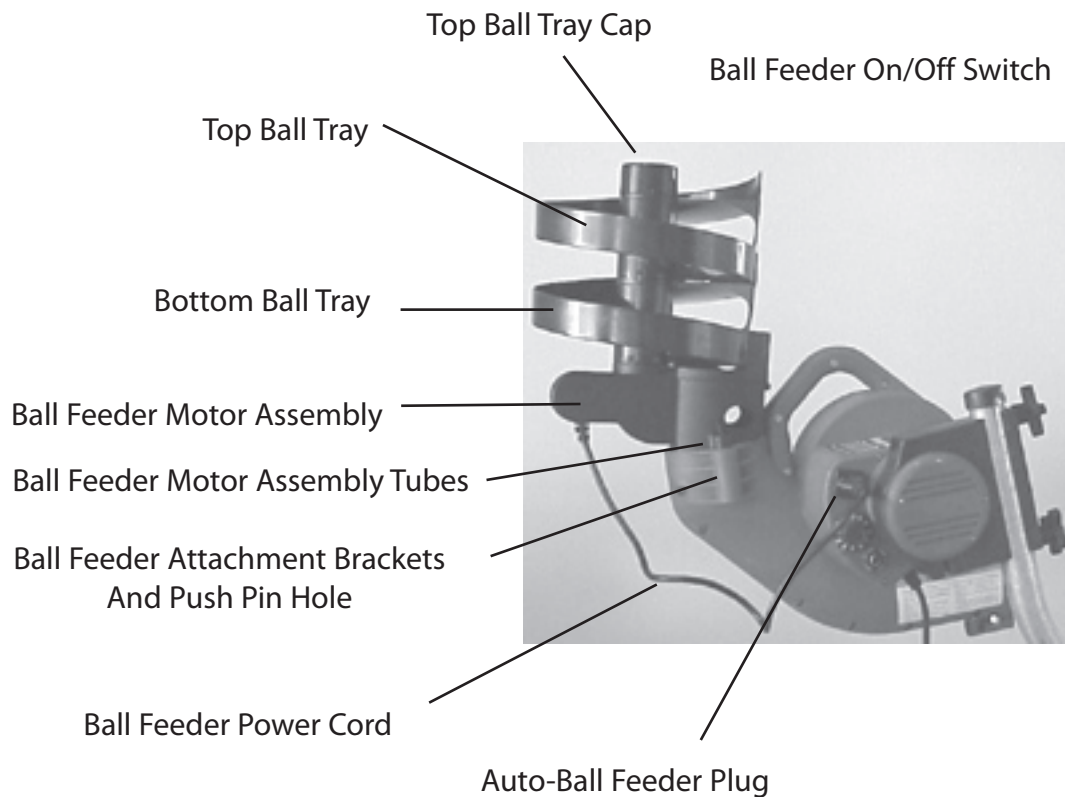
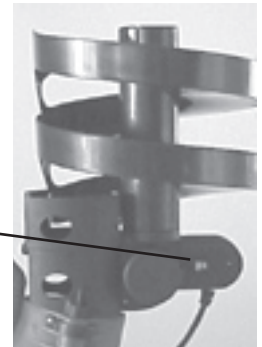


# BaseHit™

## Baseball Pitching Machine Instructions

### Auto-Ball Feeder Assembly

- Step 1: Slide Top Ball Tray, Bottom Ball Tray, and Ball Feeder Motor Assembly together.
- Step 2: Slide Ball Feeder Motor Assembly Tubes (2X) into Ball Feeder Attachment Brackets (2X).
- Step 3: Snap Ball Feeder Motor Assembly Tube Push Pin (1X) into Ball Feeder Push Pin Hole.
- Step 4: Plug Ball Feeder Power Cord into Auto-Ball Feeder Plug.
- Step 5: Load Pitching Machine Baseballs into Auto-Ball Feeder Tray.
- Step 6: Make sure pitching machine is aimed properly and people are out of the way of the baseball path.
- Step 7: Turn on Ball Feeder On/Off Switch to pitch baseball.



**TREND  
SPORTS**  
The Brand Of Innovative And Affordable Sports Products

### WARNING • WARNING

- Make sure pitching machine is properly aimed before turning on Auto-Ball Feeder.
- Make sure batter is ready before turning on machine and auto-ball feeder.
- Make sure all persons are aware pitching machine is throwing balls automatically.
- Make sure machine operator is ready to turn off auto-ball feeder power switch if necessary.
- Make sure Ball Feeder On/Off Switch is set to off when loading baseballs.
- Make sure pitching machine operator stands behind a protective screen.
- Make sure batter is wearing a NOCSAE approved batting helmet.

## WARNING!

- Do not put hands or fingers in pitching machine.
- Make sure all persons are clear of the ball path and away from pitching machine before pitching any ball.
- Make sure you pitch only one ball at a time.
- Make sure all balls are out of machine before turning the pitching machine on.
- Do not stand in front of pitching machine.
- Do not operate in moisture.
- This machine can cause serious bodily injury if used incorrectly.
- For adult operation only.
- Batter must wear NOCSAE Approved Batting Helmet.

## WARNING!

- Only use dimpled pitching machine balls to pitch to batters. Pitching machines that use a wheel to throw balls will throw real balls inaccurately because of the seams on the ball and may hit a batter and cause physical injury.
- Always have legs set on the on the ground before pitching to a batter or the BaseHit Pitching Machine may move and hit the batter causing serious physical injury.
- Make sure you pitch only one ball at a time.
- Pitching Machine Operator must stand behind protective safety screen.

### WARNING • WARNING • WARNING

- **Make sure pitching machine is aimed and throwing properly before allowing batter to step up and hit balls pitched from the BaseHit Pitching Machine.**
- Make sure all persons stand clear of pitching machine and ball path.
- Make sure all persons are aware pitching machine is throwing balls.
- Power Cords over 20 feet can lose energy and cause the BaseHit to pitch slower than normal.

### BASEHIT SPEED CONTROL DIAL SPEEDS

**Knob Setting = 10, Est. Speed = 45 MPH • Knob Setting = 5, Est. Speed = 26 MPH**  
**Knob Setting = 9, Est. Speed = 42 MPH • Knob Setting = 4, Est. Speed = 22 MPH**  
**Knob Setting = 8, Est. Speed = 38 MPH • Knob Setting = 3, Est. Speed = 18 MPH**  
**Knob Setting = 7, Est. Speed = 34 MPH • Knob Setting = 2, Est. Speed = 14 MPH**  
**Knob Setting = 6, Est. Speed = 30 MPH • Knob Setting = 0, Est. Speed = 0 MPH**

Thank you for purchasing the BaseHit Pitching Machine. If you have any questions or comments on how Trend Sports can improve the BaseHit, please call our 24 hour customer service hotline at (800) 492-9334.

**Model# BH199**

