

HittingStation™ #1

MODEL# HS4999

Rev. Date: 09/2017

INSTRUCTIONS

IMPORTANT

DO NOT RETURN THIS PRODUCT TO THE RETAIL STORE WHERE PURCHASED. **CALL TOLL FREE: (800) 492-9334**

WARNING:

Improper use of this product can result in serious injury. Read and follow full instructions for the proper and safe use of the HittingStation #1. Always wear a helmet with a guard. Adult supervision is required. Inspect all aspects of the product before each use for evidence of damage. If damaged, **DO NOT USE**, call our toll free number for replacement parts. Keep area clear in front of tee and around the swinging area of the batter.

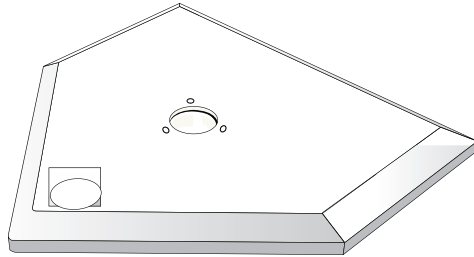


PARTS LIST

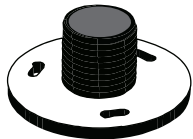
MODEL# HS4999

IF MISSING PARTS, PLEASE CALL (800) 492-9334

BATTING TEE



PART A
Qty: 1



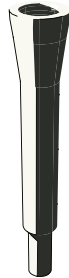
PART B
Qty: 1



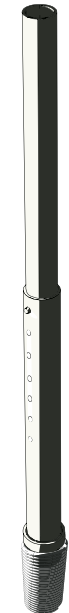
PART C
Qty: 1



PART D
Qty: 1



PART H
Qty: 1



PART G
Qty: 1

PART F
Qty: 1

PART E
Qty: 1

BALL NET



PART I
Qty: 1



PART J
Qty: 1



PART K
Qty: 29



PART L
Qty: 2

ASSEMBLY INSTRUCTIONS

BATTING TEE

STEP 1 - Make sure **PART A's** bottom is touching ground. In the center hole of **PART A (Base)**, insert **PART C** into the three small holes surrounding the center hole on top of base as shown in *Figure 1*.

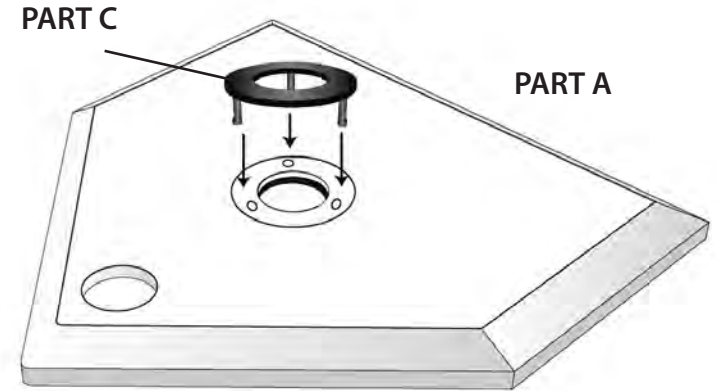


FIGURE 1

STEP 2 - Turn **PART A** upside down and insert **PART B** into the center recess and align the lock holes with the three prongs of **PART C** as shown in *Figure 2*.

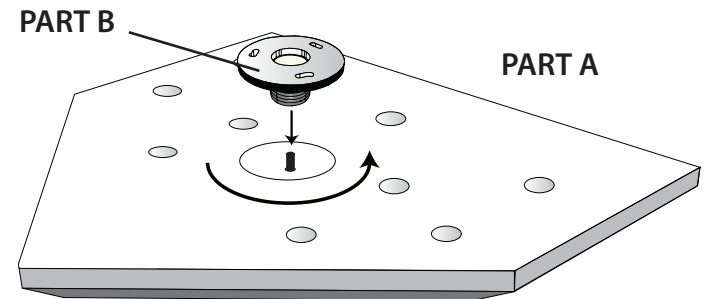


FIGURE 2

NOTE: Align **PART C** prongs with the large opening of the lock holes in **PART B** as illustrated in *Figure 3*.

Once the parts are aligned, twist **PART B** counter clockwise until tight.



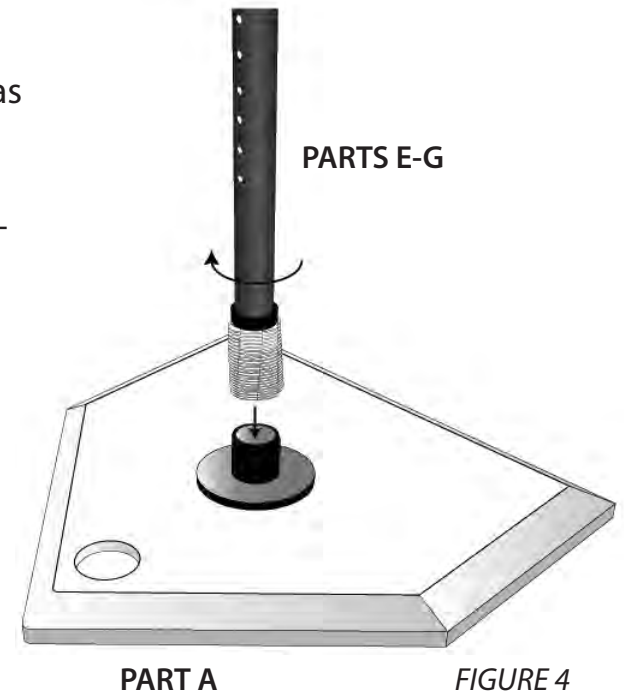
FIGURE 3

ASSEMBLY INSTRUCTIONS

BATTING TEE (Cont.)

STEP 3 - Screw the **STEM (Parts E-G)** onto **PART B** by twisting clockwise until tight, as shown in *FIGURE 4*.

NOTE: The push pin should align with the back of the **BASE** when fully tightened and allow you to adjust the height of the tee by selecting the various hole positions on the **STEM**.



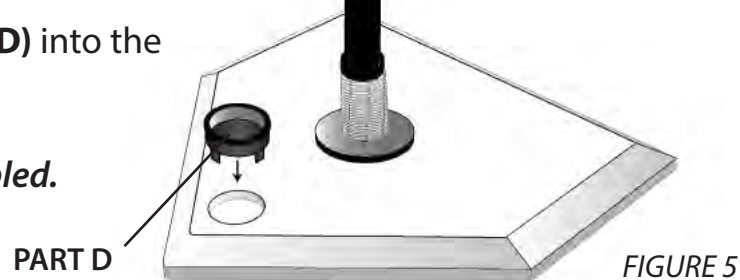
STEP 4 - Push **PART H (Tee Top)** onto **PART G (Top Stem)** until it stops as shown in *FIGURE 5*.

NOTE: **PART H (Tee Top)** is reversible and can fit either way.

STEP 5 - You can now fill the **BASE** with sand or water to keep the batting tee from tipping over.

After filling the **BASE**, push **STOPPER (Part D)** into the fill hole until it snaps tight.

The HittingStation #1 Tee is now fully assembled.



ASSEMBLY INSTRUCTIONS

BALL NET (Cont.)

STEP 1 - Remove net from box and connect pole sections. Once assembled, take each end of pole assembly and place the bullet cap rods into the ground 8-9" to form an arch as shown in image.

NOTE: If the ground is hard, hammer a 9 inch screw driver to create a hole, then remove, and insert the pole section into the hole. **DO NOT** hammer the pole in to the ground. You will cut the bungee and void your warranty.

WARNING: USE EXTREME CAUTION WHEN ASSEMBLING POLES AND INSERTING INTO GROUND. FAILURE TO SECURE POLES COULD RESULT IN SERIOUS BODILY INJURY.

STEP 2 - Slide the net over the assembled poles as shown below.



NOTE: If the bottom of the **NET** is not touching the ground, pull one side of the **POLE ASSEMBLY** out of the ground and move closer to the other side until the **NET** has 3-4" of slack on the ground. You may also need to insert the pole section deeper into the ground in order to decrease the height.

The HittingStation #1 Net is now fully assembled.

For disassembly, repeat steps backwards.

IMPORTANT SAFETY PRECAUTIONS



- 1) Tee the ball up within 6-8 feet from the net - but not so close that you could hit the net with your bat. **DO NOT** use this product if you are not sure of your ability to hit or throw a ball into the net.
- 2) **NEVER** allow anyone (people or pets) to stand behind the net or in any possible path of a ball should you miss the net or should the ball go through the net.
- 3) **DO NOT** set up net where property damage could occur if the ball should miss or go through net.
- 4) Use common sense and all the same precautions as you would when playing baseball or softball.
- 5) Inspect the net before and during each use. If any rips or holes are found - **DO NOT USE!**

NOTE: Nylon cable ties are available from most hardware stores and can be used to repair small holes in the net. Be aware of any new holes that may open - and if adequate repairs cannot be made, **DO NOT USE!**

**IF YOU HAVE ANY QUESTIONS REGARDING THE USE OR SAFETY OF THE HITTING STATION #1,
CONTACT HEATER SPORTS AT 1-800-492-9334.**