

Read This Before Operating The Heater

IMPORTANT OPERATING INSTRUCTIONS

**THE HEATER COMBO PITCHING MACHINE THROWS REAL REGULATION BALLS;
HOWEVER, THE ACCURACY OF THE HEATER DEPENDS ON THE QUALITY,
HARDNESS AND TYPE OF BALLS YOU USE IN THIS MACHINE!**

TREND SPORTS RECOMMENDS USING HEATER PITCHING MACHINE BALLS IN THE HEATER COMBO MACHINE. THESE BALLS HAVE BEEN PRECISELY CRAFTED TO PROVIDE YOU WITH HOURS OF ACCURATE, TROUBLE FREE BATTING AND FIELDING PRACTICE.

Heater Combo Pitching Machine Balls

_____ **Heater Pitching Machine Balls are recommended for use with the Heater Combo Machine.** These balls are incredibly accurate, long lasting, and produce the fastest ball speed.

Regulation Leather Balls:

_____ The Heater Combo Pitching Machine works well with real leather balls; however, accuracy will vary more than with pitching machine balls because the seams on leather balls cause the machine to pinch the ball differently on each pitch. Be sure and use real leather balls. Batters should be aware at all times.

KNOWN PROBLEMS WITH SIMULATED (SYNTHETIC) LEATHER COVERED BALLS . . .

Simulated (synthetic) leather balls:

Simulated leather balls are inexpensive seamed balls that don't work well in the Heater Combo Machine. During operation, portions of the simulated leather cover comes off the ball and attaches to the wheel of the Heater Combo. Also, during operation, consumers have reported seeing small puffs of smoke coming out of the Heater Combo. These puffs are not smoke, but actual pieces of the simulated leather ball being turned into small dust particles as they pitch out of the Heater Combo Pitching Machine.

IF BALLS GET WET, THEY WILL NOT PITCH PROPERLY UNTIL THEY DRY.

KNOWN FACTS ABOUT DIFFERENT BALLS:

The speed and accuracy of each pitch is dependent on the hardness, roundness, and type of each ball used.

For example: If you have 12 balls and four are softer than the others (these balls will throw lower than the other balls), if four are harder than the others (these balls will throw higher than the other balls), and if four are not round (these balls will throw inside and outside). THIS LEAVES THE USER WITH THE IMPRESSION THAT THE HEATER COMBO PITCHING MACHINE IS INACCURATE WHICH IS NOT CORRECT.

Heater Combo™

Pitching Machine Instructions

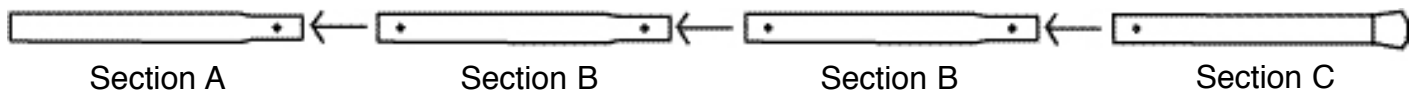
IMPORTANT

DO NOT RETURN THIS PITCHING MACHINE TO THE RETAIL STORE WHERE PURCHASED. CALL TOLL FREE: (800) 492-9334.

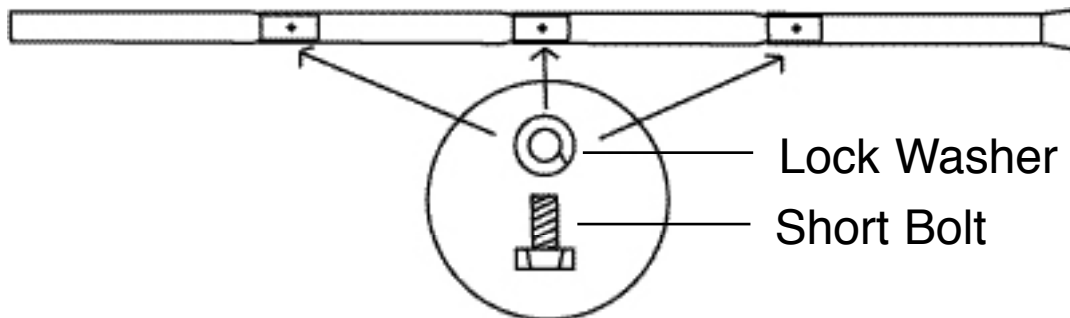
WARNING: THIS PRODUCT IS TO BE USED BY ADULTS ONLY. MAKE SURE MACHINE IS TURNED OFF BEFORE ASSEMBLY! KEEP HANDS AND ALL BODY PARTS AWAY FROM BALL ENTRY AND EXIT! SERIOUS HAND AND BODILY INJURY MAY OCCUR IF USED INCORRECTLY!

BASEBALL/SOFTBALL PITCHING MACHINE LEG ASSEMBLY

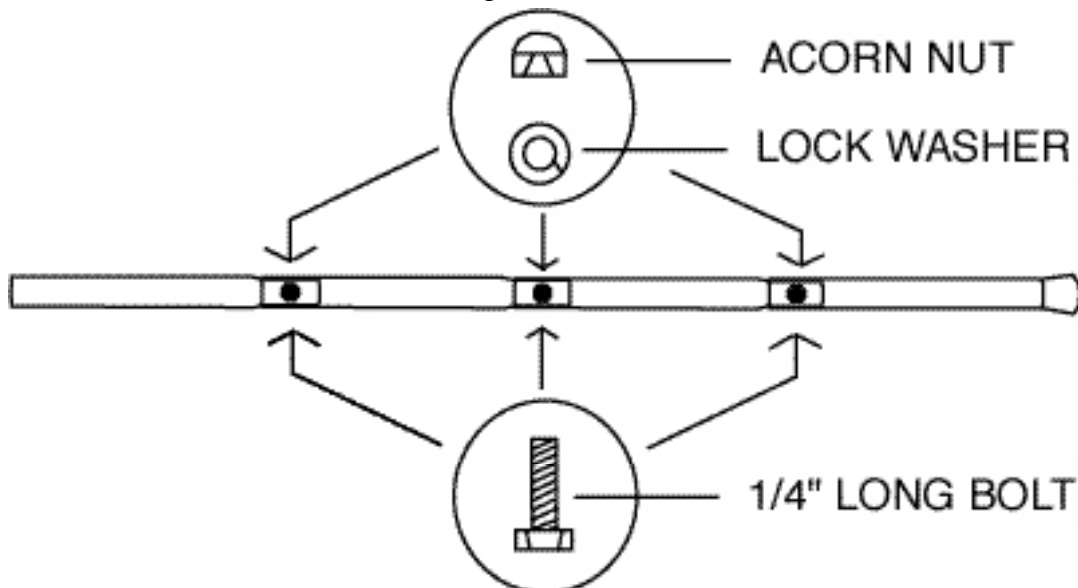
STEP 1: Slide Sections A - B - B - C Together.



STEP 2: Screw 1/4" Short Bolt and Lock Washer Into Threaded Hole (3X) And Tighten.

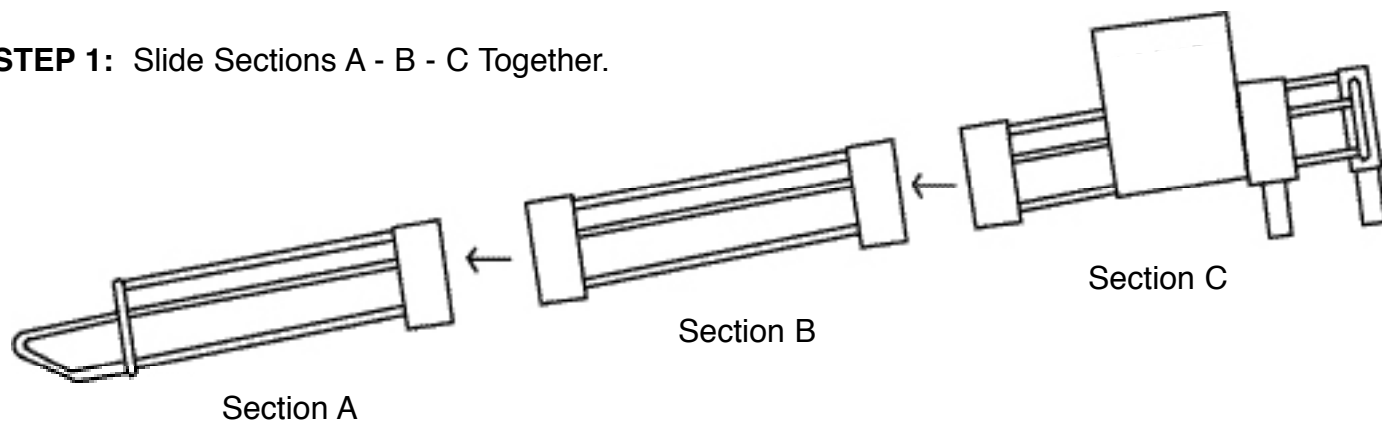


STEP 3: Rotate Leg 90 Degrees and Slide Long Bolt (3X) Through Hole. Slide On Lock Washer and Screw On Acorn Nut And Tighten.

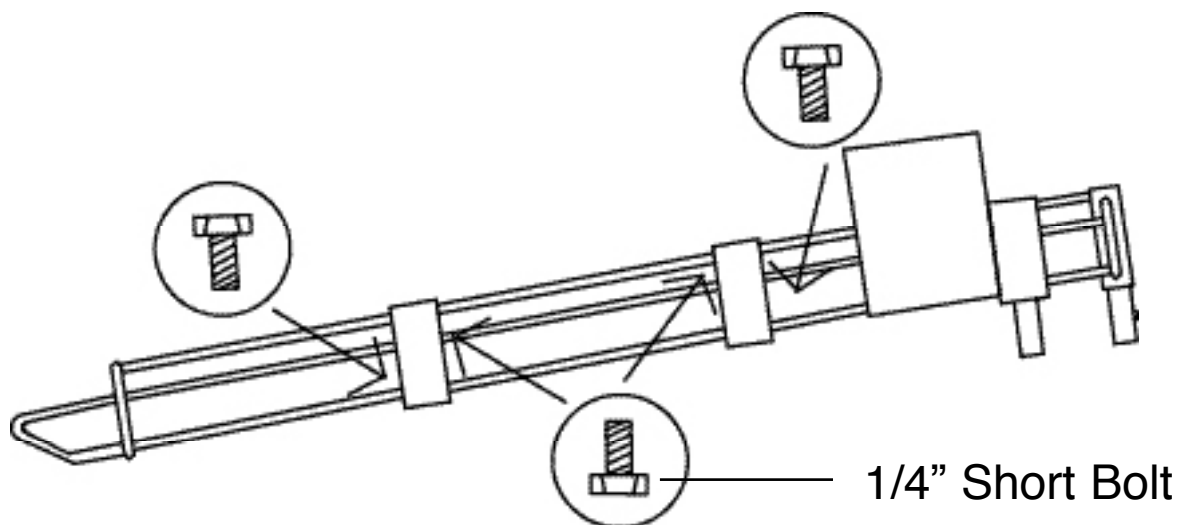


COMBO PITCHING MACHINE AUTO-BALL FEEDER ASSEMBLY

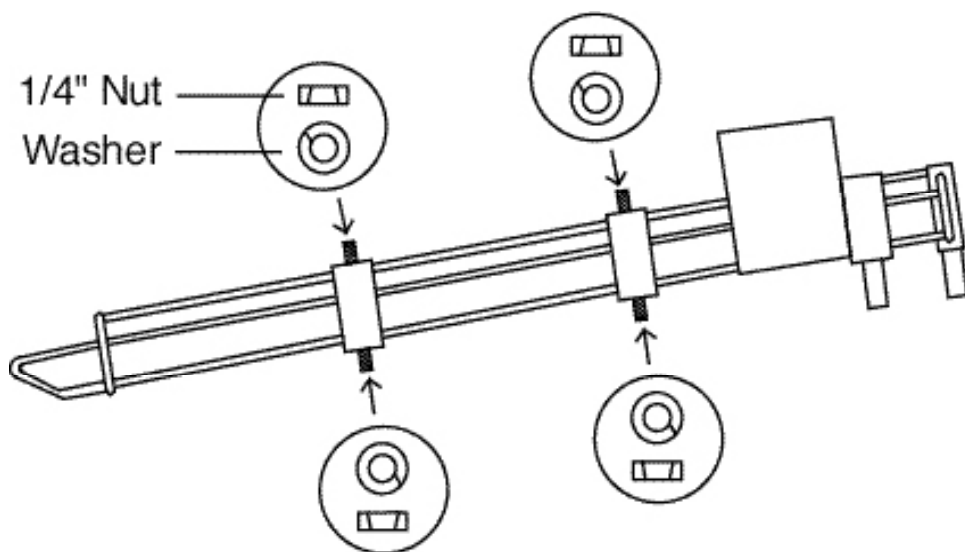
STEP 1: Slide Sections A - B - C Together.



STEP 2: Insert 1/4" Short Bolt From Inside Of Feeder Through Hole In Feeder Bracket (4X).



STEP 3: Place Washer Over Short Bolt. Screw on Nut And Tighten Nut (4X).



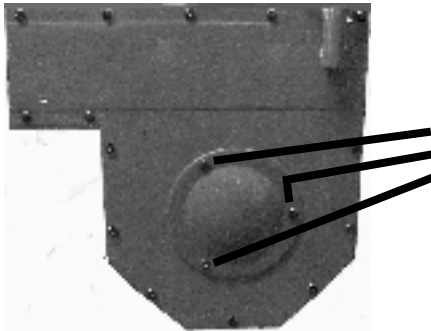
WARNING • WARNING

- Turn off pitching machine and auto-ball feeder motor when loading balls.
- Make sure batter is ready before turning on auto-ball feeder and machine.
- Make sure all persons stand clear of pitching machine and ball path.
- Make sure all persons are aware pitching machine is throwing balls automatically.
- Make sure machine operator is ready to turn off auto-ball feeder

Pre-Operating Instructions

Check The Air Pressure In The Heater Combo Pitching Machine Tire.

Warning: Make sure Heater Combo Pitching Machine is unplugged and the tire is not spinning during these operations.

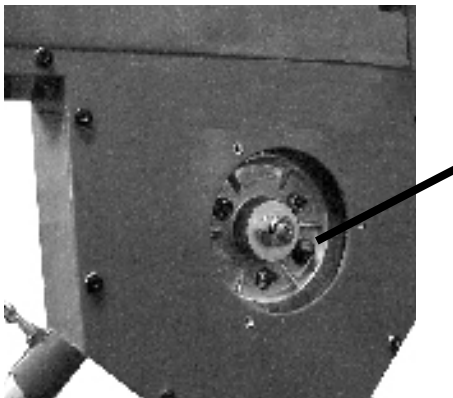


Pre-Operation #1

Locate Allen Wrench (provided in package) and unscrew (3) three wheel cover screws.

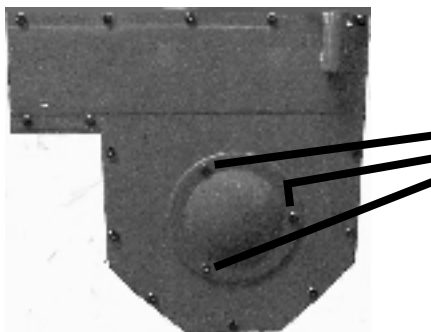
Important:

Periodically inspect the tire to make sure it is not worn out, flat, or punctured. Serious damage could result if operated in any of these conditions.



Pre-Operation #2

Locate Tire Pressure Gauge (provided in package) and check tire air pressure. Tire pressure should be between 35 - 37 lbs. psi. If tire pressure reads low, use an air pump to inflate the tire to 35 - 37 lbs. psi. If tire pressure reads high, decrease the air pressure by pushing down the air stem bubble located in the middle of the air stem. ••Inspect the air pressure periodically to make sure air pressure is still within the 35 - 37 lbs. psi range. ••



Pre-Operation #3

Locate Allen Wrench (provided in package) and secure Wheel Cover back on machine by tightening (3) three Wheel Cover Screws.

Warning - Serious Bodily Injury: Never operate Heater Combo Pitching Machine until Wheel Cover is secured on the Heater Combo Pitching Machine with the (3) three Wheel Cover Screws.

Check Heater Fuse Reset Button



Fuse Re-Set Button

The Heater Combo Pitching Machine has a fuse reset button which is designed to protect the electronic circuit in the Heater Combo Pitching Machine. If the Heater will not turn on, check this button to make sure it is not popped out. If it is popped out, press it back in to reset the fuse circuit breaker. This should allow the Heater Combo to operate properly.

Ball Size Adjustment Instructions

MACHINE IS SET TO PITCH BASEBALLS AT THE FACTORY.

Important:

Make sure machine is unplugged and tire is not spinning during the following operations.

Periodically inspect the tire to make sure it is not worn out, flat, or punctured. Serious damage could result if operated in any of these conditions.



Adjustment #1 (Ball Pad)

Locate Allen Wrench (provided in package) and unscrew (4) four ball height adjustment screws (2 on each side of machine).

Warning: Serious damage will occur if the wrong sized ball is put into the Heater Combo Pitching Machine while set for a different ball size.



Adjustment #2 (Ball Pad)

Warning: Do not put hand(s) inside machine at anytime.

Use chute adjustments handles (located on both sides of machine) to move chute pad to desired ball size holes and tighten (4) ball height adjustment screws (always make sure these screws are tight).



12" Softball Setting

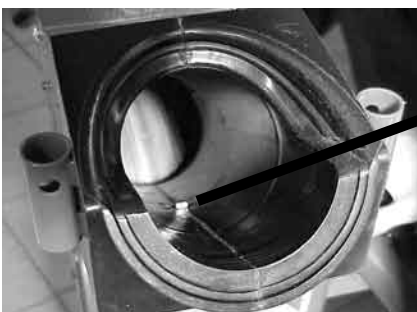
11" Softball Setting

9" Baseball Setting



Adjustment #3 (Ball Chute)

Below the ball entry, locate & loosen wing nut until it is flush with the end of the threaded bolt. Push the wing nut and bolt up toward the metal floor of the Heater and rotate 90 degrees.



Adjustment#4 (Ball Chute)

On the end of the bolt there is a T-head. When pushed up and rotated 90 degrees, the T-head slides out of the ball chute and Heater housing.



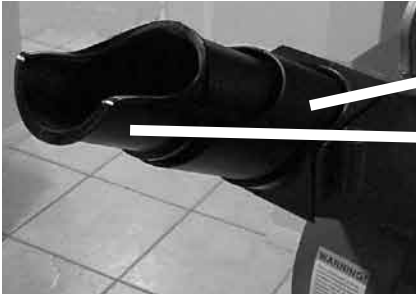
Ball Size Adjustment (Continued)

MACHINE IS SET TO PITCH BASEBALLS AT THE FACTORY.

Important:

Make sure machine is unplugged and tire is not spinning during the following operations.

Periodically inspect the tire to make sure it is not worn out, flat, or punctured. Serious damage could result if operated in any of these conditions.



Adjustment #5 (Ball Chute)

11" Chute

9" Chute

Warning: Serious damage will occur if the wrong size ball is put into the Heater Combo Pitching Machine while set for different ball size. Do not put hand(s) inside machine at anytime.

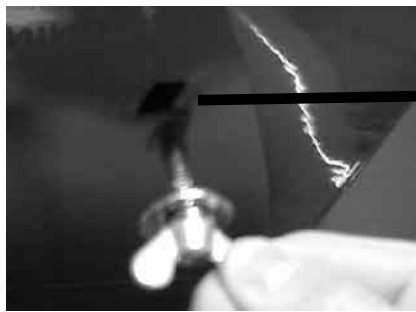


Adjustment #5 - Continued (Ball Pad)

Leave all chutes in the Heater for baseball pitching.

Remove the 9" chute from the Heater for 11" softball pitching.

Remove both 9" & 11" chutes from the Heater for 12" softball pitching.



Adjustment #6 (Ball Chute)

Once chute size is in place, push the T-head up through the slot of the metal housing and ball chutes and rotate 90 degrees to lock T-head securely into the T-groove of the chute floor.



Rotate the T-head 90 degrees to lock in place. Once rotated the T-head should fit in a T-groove molded in the chutes. The T-head top should be flush with the chute floor and not sticking up above the chute floor.



Adjustment #7 (Ball Chute)

Secure chutes back in place by tightening wing nut. Once completed follow set-up instructions on the following page.

Heater Combo™

Baseball Pitching Machine Instructions

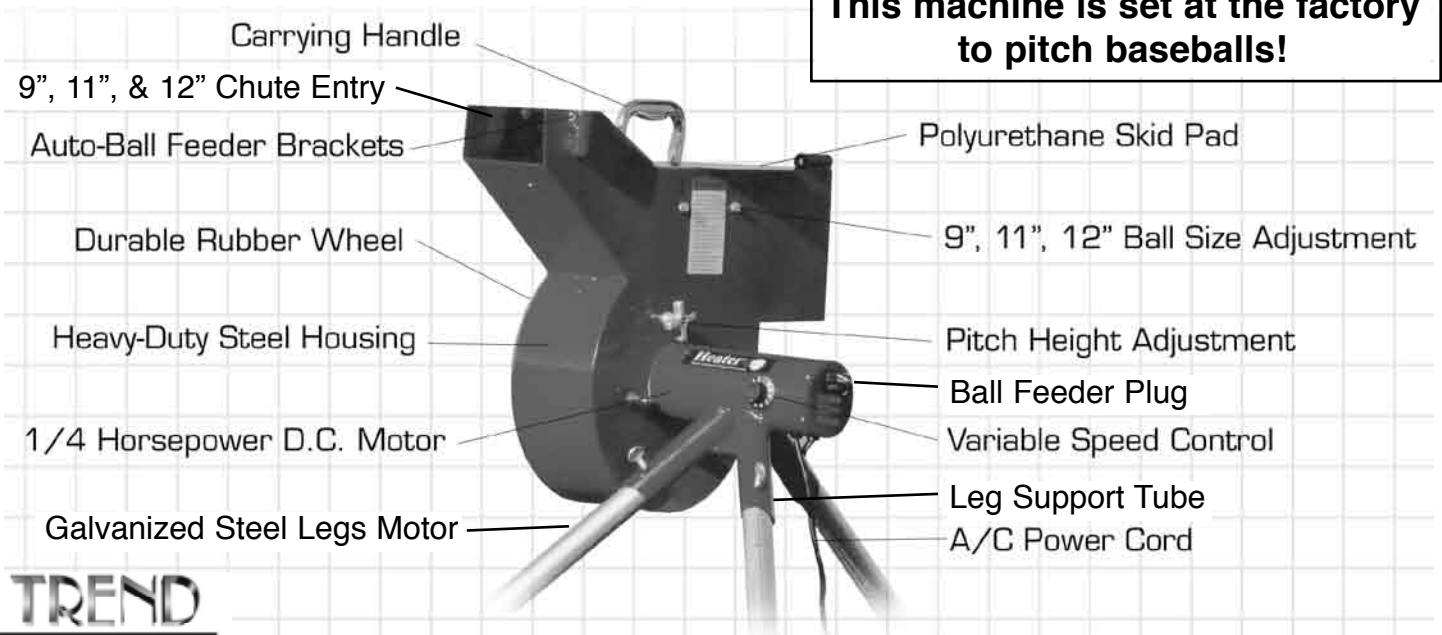
CAUTION!

USE HEATER PITCHING MACHINE BALLS FOR THE MOST ACCURATE PITCH POSSIBLE. PITCHING MACHINES THAT USE A WHEEL TO THROW BALLS WILL NOT THROW REAL BALLS AS ACCURATE BECAUSE OF THE SEAMS ON THE BALL.

IMPORTANT: THIS PRODUCT IS TO BE USED BY ADULTS ONLY. MAKE SURE MACHINE IS TURNED OFF BEFORE ASSEMBLY! KEEP HANDS AND ALL BODY PARTS AWAY FROM BALL EXIT! SERIOUS HAND AND BODILY INJURY MAY RESULT IF USED INCORRECTLY!

- Step 1: Make sure every person and everything is clear of pitching machine ball path.
- Step 2: Turn pitching machine variable speed control knob off (counter-clockwise until you hear a click).
- Step 3: Slide galvanized steel legs into leg support tubes and tighten thumb screws.
- Step 4: Insert auto-ball feeder tubes into auto-ball feeder bracket (2X) & plug into ball feeder plug in.
- Step 5: Make sure auto-ball feeder switch is turned off & place balls into auto-ball feeder.
- Step 6: Plug pitching machine into 3 prong power outlet. (Make sure pitching machine wheel is not spinning.)
- Step 7: Aim pitching machine at desired target.
- Step 8: Turn variable speed control knob on (clockwise to approximately #3 on speed control).
- Step 9: Turn auto-ball feeder on, pitch a ball, & rotate speed control knob to desired estimated speed.
- Step 10: Adjust pitch height by loosening the pitch height adjustment knob and rotating the housing to desired location. Re-tighten pitch height adjustment knob.
- Step 11: Make sure machine is pitching at desired target before allowing batter to start batting.

This machine is set at the factory to pitch baseballs!



TREND
ALWAYS SOMETHING BETTER
SPORTS

Model# HTR6000COMBO

WARNING!

- Do not put hands or fingers in pitching machine.
- Make sure all persons are clear of the ball path and away from pitching machine before pitching any ball.
- Make sure you pitch only one ball at a time.
- Make sure all balls are out of machine before turning the pitching machine on.
- Do not stand in front of pitching machine.
- Do not operate in moisture.
- Batter must wear NOCSAE Approved Batting Helmet.
- This machine may cause serious bodily injury if used improperly.
- For adult operation only.

WARNING!

- Heater pitching machine balls are the most accurate balls for use in the Heater Combo Machine. Real leather balls can be used but aren't as accurate because of the ball seams. Batter should be aware at all times.
- Always have legs set on the ground before pitching to a batter or the Heater Combo Pitching Machine may move and hit the batter causing serious physical injury.
- Make sure you pitch only one ball at a time.
- Pitching Machine Operator must stand behind protective safety screen.

WARNING • WARNING • WARNING

- **Make sure pitching machine is aimed and throwing properly before allowing batter to step up and hit balls pitched from the Heater Combo Pitching Machine.**
- Turn off pitching machine and auto-ball feeder motor when loading balls.
- Make sure batter is ready before turning on auto-ball feeder and machine.
- Make sure all persons stand clear of pitching machine and ball path.
- Make sure all persons are aware pitching machine is throwing balls automatically.
- Make sure machine operator is ready to turn off auto-ball power switch if necessary.
- Power Cords over 20 feet can lose energy and cause the Heater to pitch slower than normal.

HEATER COMBO SPEED CONTROL DIAL SPEEDS

Knob Setting = 10 - 60, 58, 56 MPH • Knob Setting = 5 - 32, 30, 28 MPH
Knob Setting = 9 - 54, 52, 50 MPH • Knob Setting = 4 - 27, 25, 23 MPH
Knob Setting = 8 - 46, 44, 42 MPH • Knob Setting = 3 - 26, 24, 22 MPH
Knob Setting = 7 - 40, 38, 36 MPH • Knob Setting = 2 - 25, 23, 21 MPH
Knob Setting = 6 - 36, 34, 32 MPH • Knob Setting = 0 - 0, 0, 0 MPH

Thank you for purchasing the Heater Combo Pitching Machine. If you have any questions or comments on how Trend Sports can improve the Heater Combo Pitching Machine, please call our 24 hour customer service hotline at (800) 492-9334.

Model# HTR6000BBC

