

Heater[™] **Sandlot Pro**

Read This Before Operating

IMPORTANT

**DO NOT RETURN THE SANDLOT PRO MACHINE TO THE RETAIL STORE WHERE PURCHASED.
CALL TOLL FREE: (800) 492-9334.**

USE SANDLOT LITE-BALLS OR SANDLOT PRO REAL BASEBALLS IN THE MACHINE

The Sandlot Pro Pitching Machine uses Sandlot Soft Lite-Balls, Sandlot Regular Lite-Balls and Sandlot Pro Real Baseballs. Heater Sports recommends using official Sandlot Lite-Balls or Sandlot Pro Real Baseballs in the Sandlot Pro Pitching Machine. These balls are incredibly accurate, long lasting, and produce the best performance in the machine.

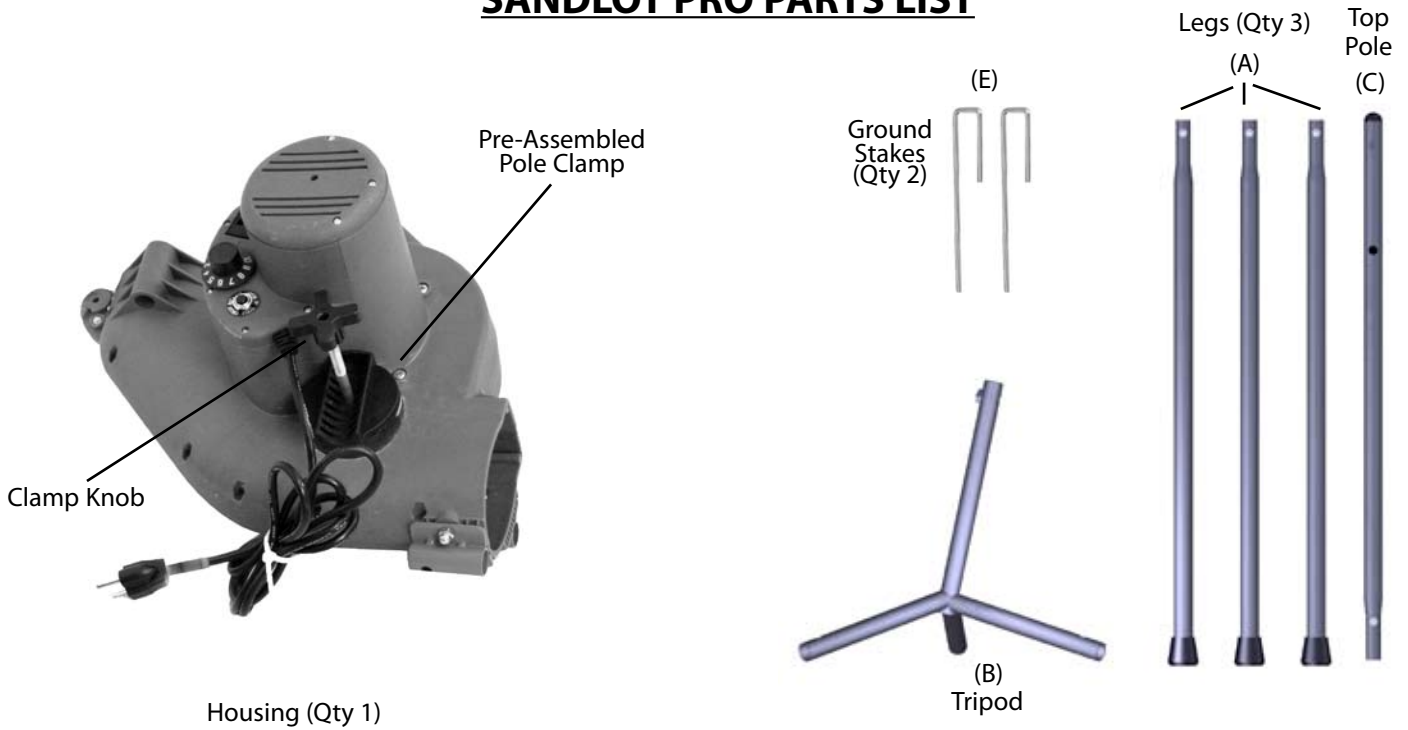
CUSTOMER SERVICE

HEATER SPORTS is dedicated to your customer satisfaction. If you experience any trouble with the operation of the Sandlot Pro Pitching Machine contact us at: (800) 492-9334 or log on to our website at www.HeaterSports.com.

WARNING: THIS PRODUCT IS TO BE USED BY ADULTS ONLY. MAKE SURE MACHINE IS TURNED OFF BEFORE ASSEMBLY! KEEP HANDS AND ALL BODY PARTS AWAY FROM BALL ENTRY AND EXIT! SERIOUS HAND, EYE, AND BODILY INJURY MAY OCCUR IF USED INCORRECTLY!

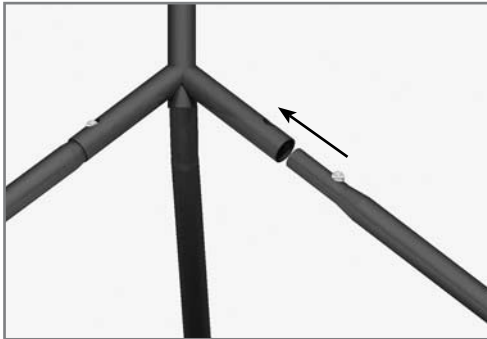
- Please be sure to read all of the instructions before using the Sandlot Pro Pitching Machine to insure the machine is working properly.
- Parents: Your child should be made aware of the potential dangers of using the Sandlot Pro Pitching Machine.
- Never put your fingers into the Sandlot Pro Pitching Machine.
- The Sandlot Pro is not a toy and an adult should supervise children. It is very important the batter makes sure the area is clear before swinging a bat.
- Stay clear of the ball opening while the Sandlot Pro is operating. Although the balls may be very light, they may cause eye damage or other injury may occur. Children must be advised of this danger and appropriate precautions should be taken.
- **DO NOT** use any type of ball other than Heater Sports Balls in this machine.
- Always use a NOCSE approved batting helmet when batting.
- **DO NOT LOOK INTO THE FRONT OF THE MACHINE WHILE THE SANDLOT PRO IS RUNNING.** Occasionally a ball may get stuck in the machine. The ball may pause and then shoot out and cause eye injury. If the ball gets stuck, turn off the machine immediately. You should be able to remove the ball easily by tilting the Sandlot Pro backwards to eject the ball.
- Never operate in water or moisture.
- Always store in a dry area.

SANDLOT PRO PARTS LIST

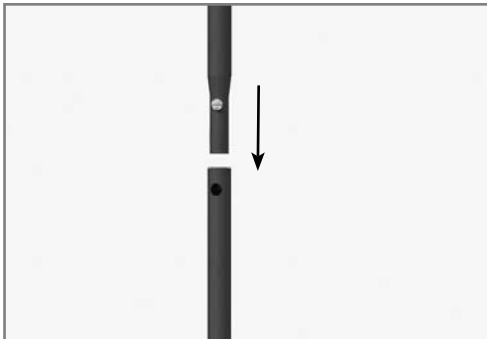


SANDLOT PRO ASSEMBLY INSTRUCTIONS

STEP 1: Slide Legs (A) into Tripod (B) base until push-pin snaps into place.

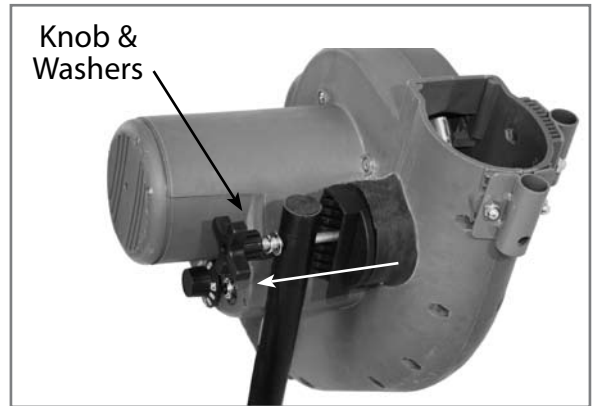


STEP 2: Insert Top Pole (C) into Tripod (B) top until push-pin snaps into place. Tighten Thumb Screw in threaded nut attached to opposite side of the push-pin hole.



SANDLOT PRO ASSEMBLY (Continued)

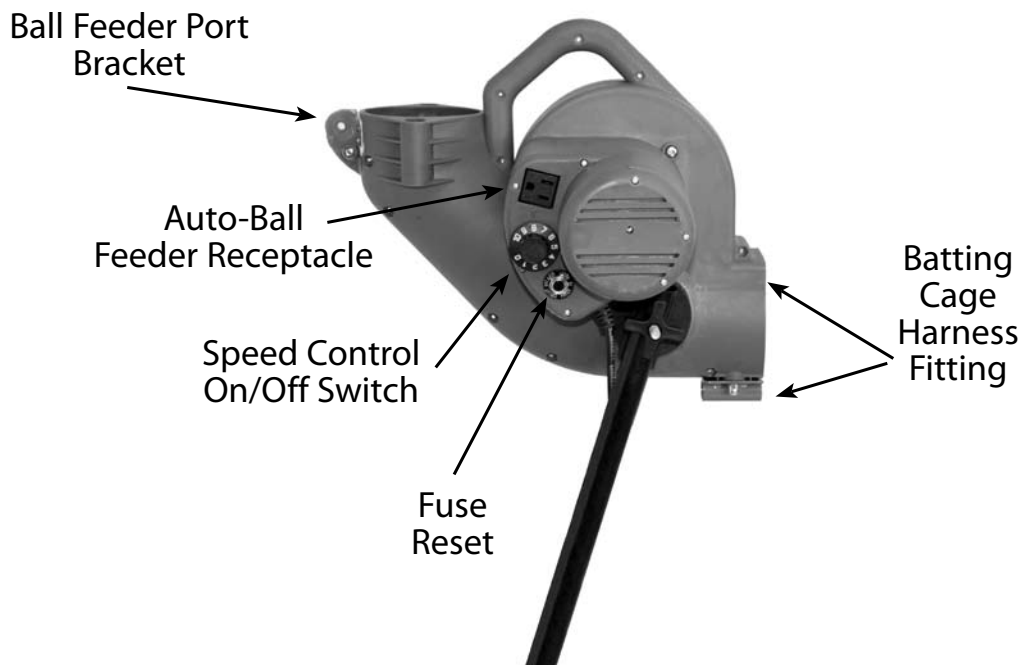
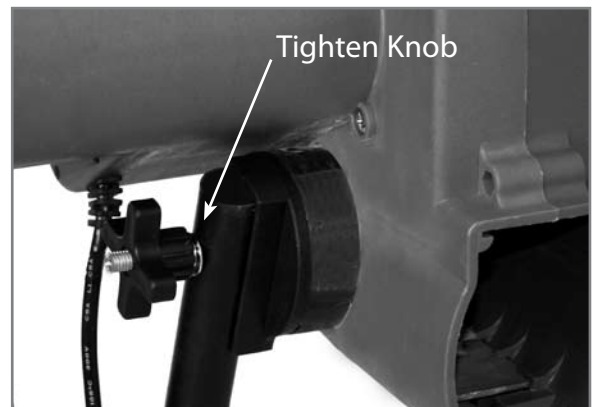
STEP 3: Remove Thumb Knob & Washers from Pole Clamp assembly on Housing and slide the housing bolt through the Top Pole (C) holes.



IMPORTANT!

When placing the Housing on to the Top Pole (C), make sure the Housing and Top Pole lean forward, not backward.

STEP 4: Replace the Washer, Lock Washer, Knob in that order and then tighten. (See Photo)



Heater™ Sandlot Pro

OPERATION INSTRUCTIONS

WARNING!

MAKE SURE NO PERSONS ARE IN FRONT OF MACHINE WHILE ADJUSTING THE MACHINE FOR FAST BALLS, POP FLIES, OR GROUNDERS.

CAUTION:

Different types of balls will change the pitch dramatically. Make sure no persons are in front of machine until machine is aimed properly and pitching accurately at desired target.

STEP 1: Before using the Sandlot Pro pitching machine, use the two Ground Stakes (E) to secure the back legs in place.

STEP 2: Plug the Sandlot Pro into any standard wall outlet and allow the motor to get to full speed then place a ball into the elbow chute.

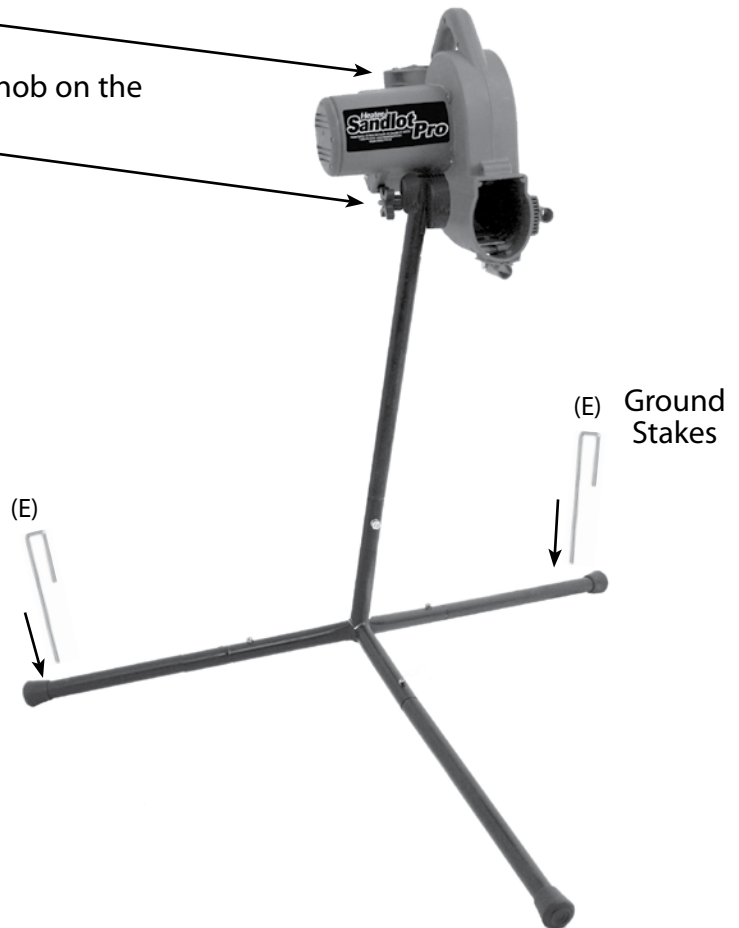
To adjust the pitch, loosen the thumb knob on the pole clamp bolt until the housing can pivot to the desired position.

Securely tighten the thumb knob back into place.

STEP 3: Adjust the Speed Control dial and select the desired ball speed from 1 to 10.

STEP 4: To throw pop flies or grounders, loosen the thumb knob on the pole clamp until the housing can rotate to the desired position.

Securely tighten the thumb knob back into place.



Heater[™] **Sandlot Pro** ADDENDUM

IMPORTANT!

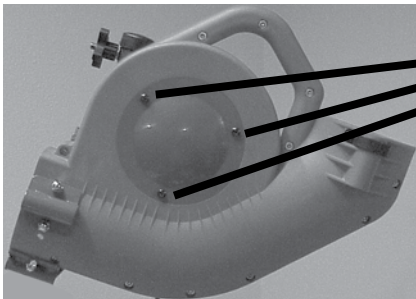
When placing the Housing on to the Top Pole (C), make sure the Housing and Top Pole lean forward, not backward.

The Heater Sandlot Pro pitching machine is designed to lean forward and provide a stable and balanced ball delivery.



Check The Air Pressure In The Sandlot Pro Pitching Machine Tire.

Warning: Make sure Sandlot Pro Pitching Machine is unplugged and the tire is not spinning during these operations.

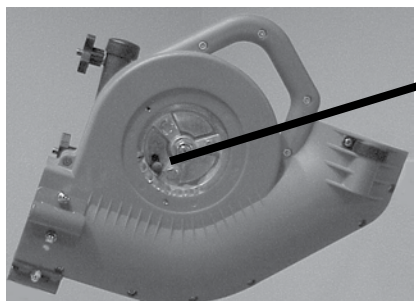


Pre-Operation #1

Locate Allen Wrench (provided in package) and unscrew (3) three Wheel Cover Screws.

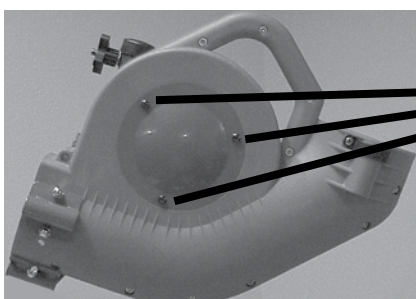
Important:

Periodically inspect the tire to make sure it is not worn out, flat, or punctured. Also make sure hub mark and tire mark are aligned to avoid balance problems. Serious damage could result if operated in any of these conditions.



Pre-Operation #2

Use a Tire Pressure Gauge and check tire air pressure. Tire pressure should be between **45 - 50** lbs. psi. If tire pressure reads low, use an air pump to inflate the tire to **45 - 50** lbs. psi. If tire pressure reads high, decrease the air pressure by pushing down the air stem bubble located in the middle of the air stem. –Inspect the air pressure periodically to make sure air pressure is still within the **45 - 50** lbs. psi range.–



Pre-Operation #3

Locate Allen Wrench (provided in package) and secure Wheel Cover back on machine by tightening (3) three Wheel Cover Screws.

Warning: Never operate the Sandlot Pro Pitching Machine until Wheel Cover is secured with the (3) three Wheel Cover Screws.