



# OWNER'S MANUAL

## HomeRun® 12' Batting Cage

[www.HeaterSports.com](http://www.HeaterSports.com)

**Model No. HRBC99**

**Serial No. \_\_\_\_\_**

Serial number found on warning label sewn onto netting.

### ACTIVATE YOUR WARRANTY

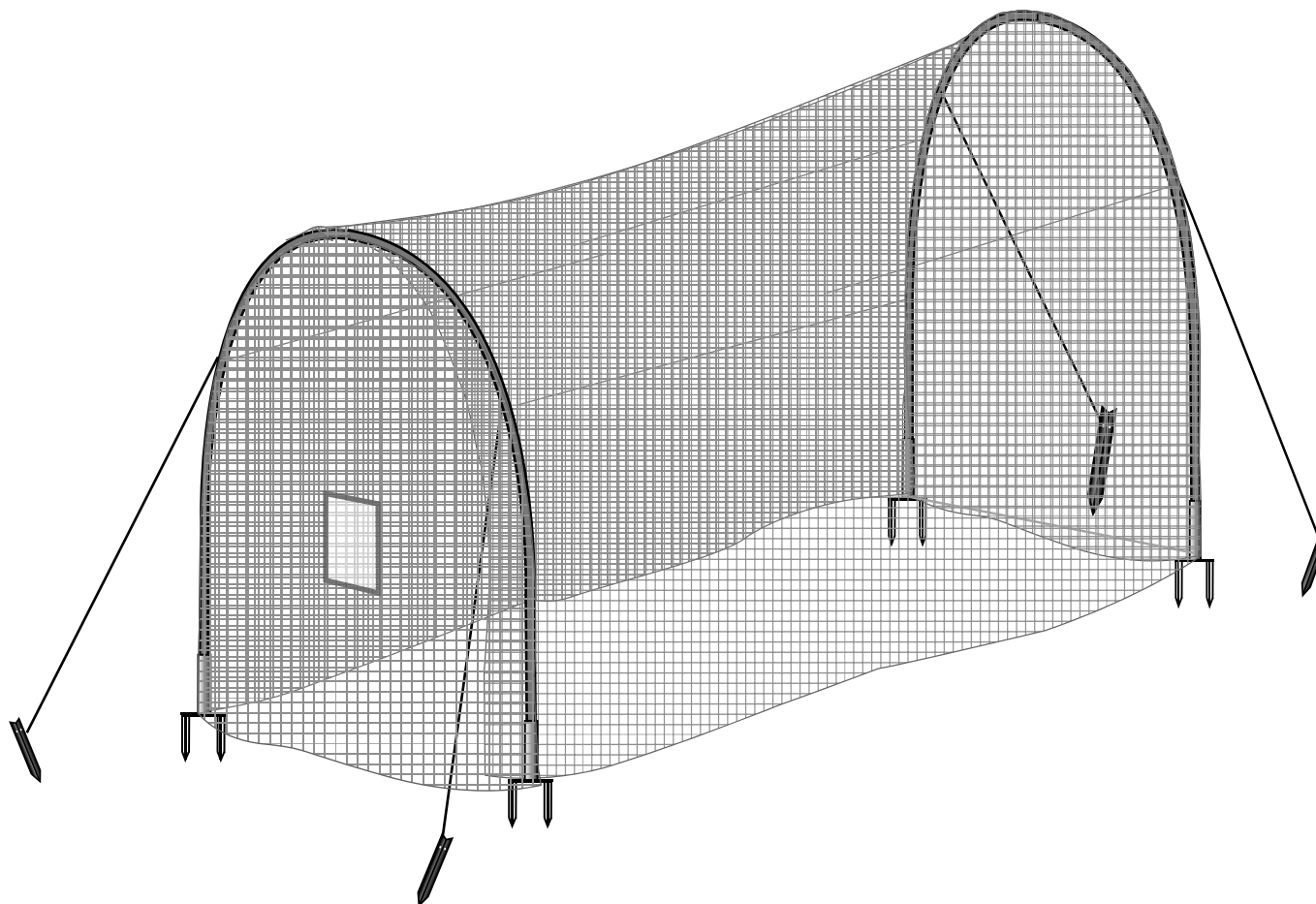
To register and activate your 1 year parts & labor warranty, call 1-800-492-9334

### CUSTOMER CARE

For customer service inquiries, please call our toll free line at 1-800-492-9334.

### ⚠ CAUTION

Read all precautions and instructions in this manual before using this product. Keep this manual for future reference.



**DO NOT RETURN TO STORE, CALL 1-800-492-9334**

# READ BEFORE ASSEMBLING

**IF YOU EXPERIENCE ISSUES WITH THIS CAGE, DO NOT RETURN TO THE RETAIL STORE WHERE PURCHASED - CALL TOLL FREE: (800) 492-9334**

## WARNING

- > DO NOT LEAVE CAGE ASSEMBLED DURING ANY WIND, RAIN, OR SNOW. FAILURE TO DO SO CAN VOID WARRANTY.
- > Adult supervision required AT ALL TIMES during use.
- > ALWAYS inspect netting before and during use. If any rips or holes appear - DO NOT USE! Serious bodily injury and/or property damage could occur.
- > Make sure Pitching Machine is turned off and unplugged if using with the Batting Cage Net.
- > Never allow a batter in the Batting Cage until the Pitching Machine has been sighted in and pitching at the desired target and desired speed. Only one batter in the cage at a time.
- > Machine operator must remain behind Pitching Machine at all times while Machine is in use. Being too close to the net could cause bodily harm.

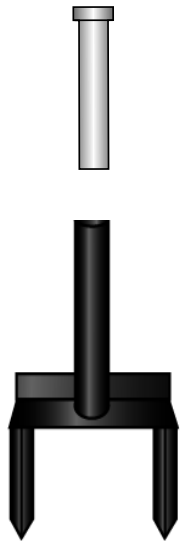
## WARNING

- > If personally pitching inside, a protective screen must be used to protect person throwing balls.
- > Batter must wear NOCSAE Approved Batting Helmet.
- > Make sure area outside Batting Cage is clear. Net will have slack and may extend outward when hit by an object or ball. Therefore, make sure any person, pet, object or property are clear of this area to prevent bodily injury/property damage.
- > Do not use golf balls or similar sized balls inside Net. Failure to do so could allow the balls to break through the Net holes and cause harm.
- > Bodily injury could occur if precautions aren't followed. Use common sense and all the same precautions as you would when playing baseball or softball.
- > It is recommended to replace this net every year.

# PARTS LIST

*\*Replacement Parts Available by Calling Heater Sports at 1-800-492-9334*

Stake Insert  
(B)  
**Qty: 4**  
*(Pre-Assembled  
In Stake)*



Ground  
Stake  
(A)  
**Qty: 4**

Fiberglass  
Rod No Tip  
(C)  
**Qty: 2**



Fiberglass Rod  
With Tip  
(D)  
**Qty: 14**



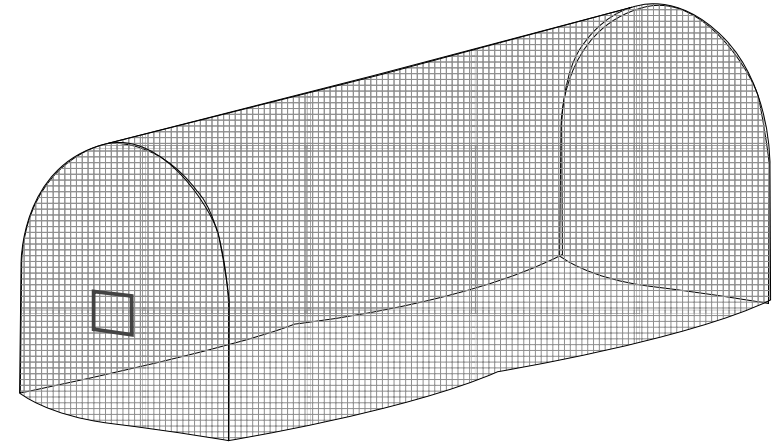
Roll of  
Black Tape  
(E)  
**Qty: 1**



Black Guide Ropes  
(F)  
**Qty: 2 Bundles of 2  
(4 Total)**



Netting With  
Pitching Machine Harness  
(G)  
**Qty: 1**

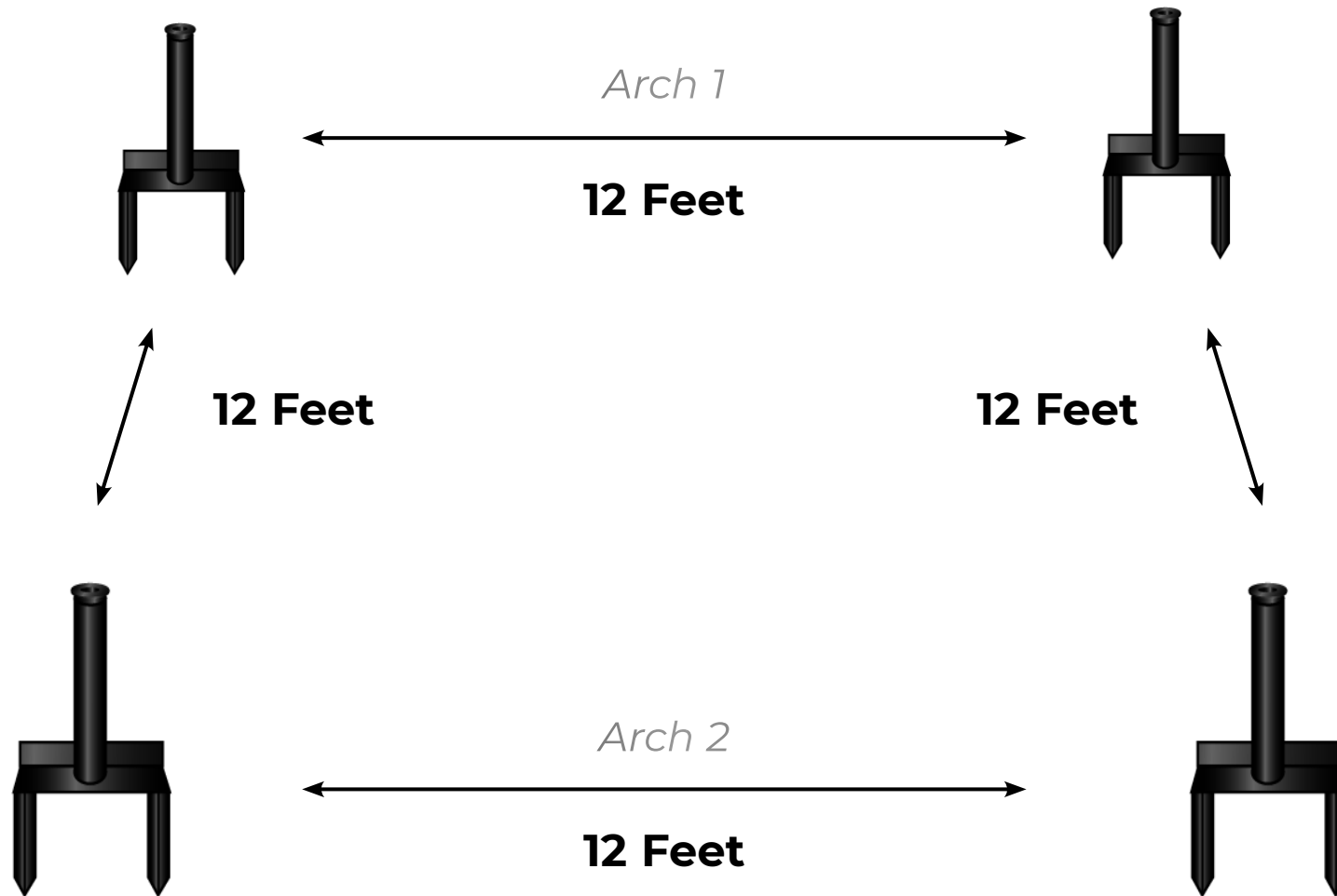


Support Rope  
& Stake  
(H)  
**Qty: 4**



# STAKE ASSEMBLY

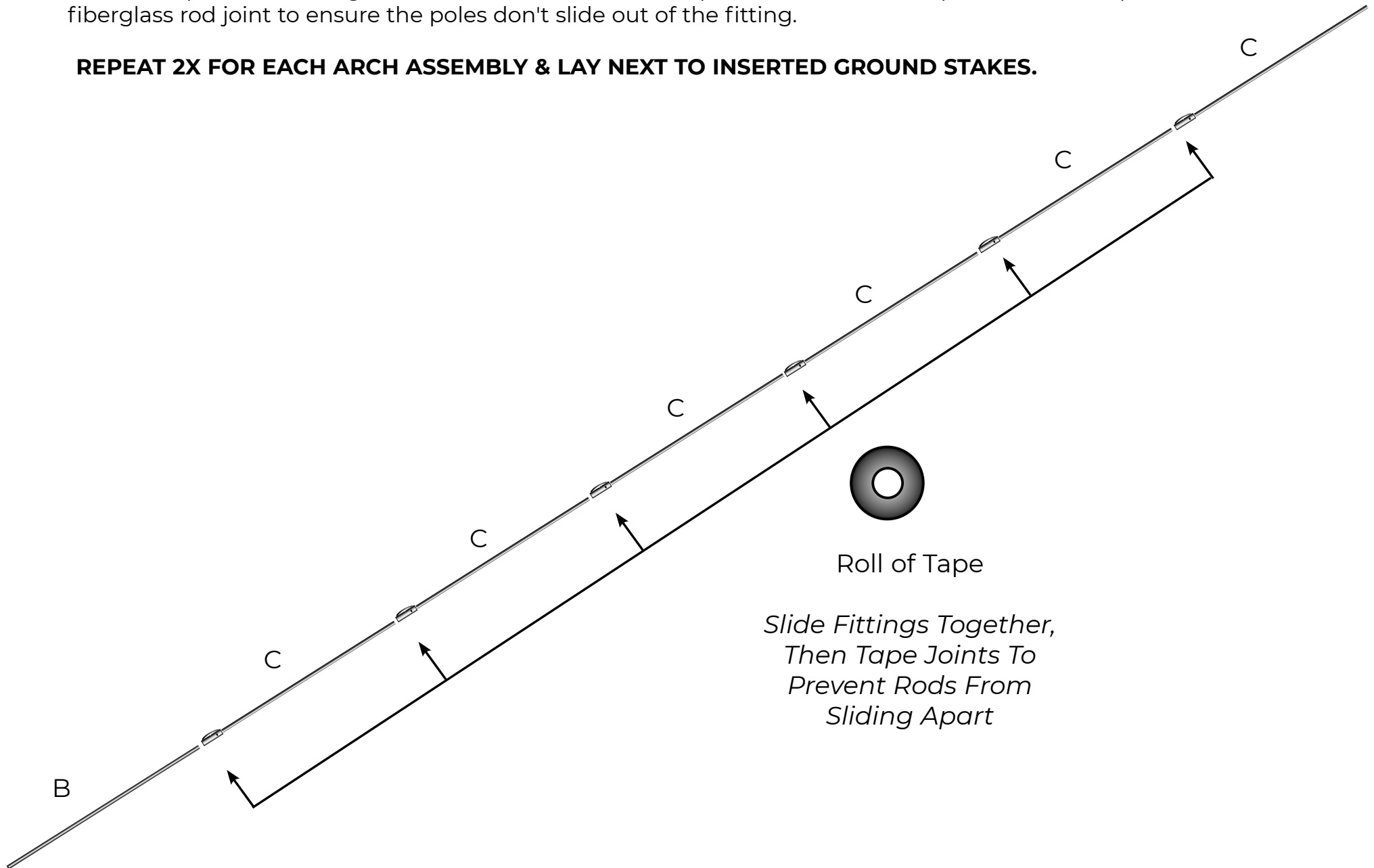
**STEP 1:** Using a rubber mallet or hammer, pound Ground Stakes into ground as outlined below.



# ARCH ASSEMBLY

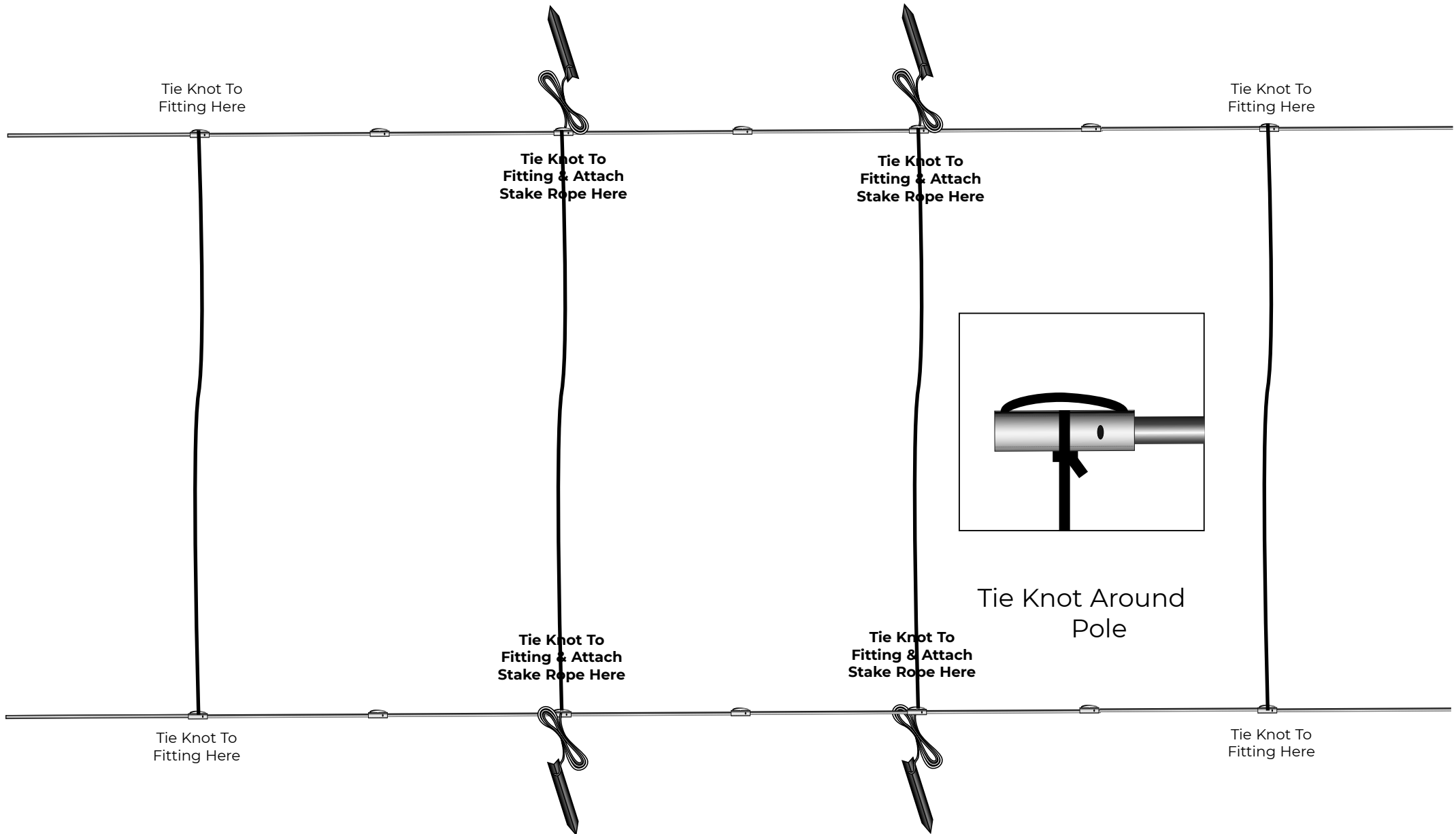
**STEP 1:** Slide each pole section together as shown. Make sure the poles slide in as far as possible, then tape each fiberglass rod joint to ensure the poles don't slide out of the fitting.

**REPEAT 2X FOR EACH ARCH ASSEMBLY & LAY NEXT TO INSERTED GROUND STAKES.**



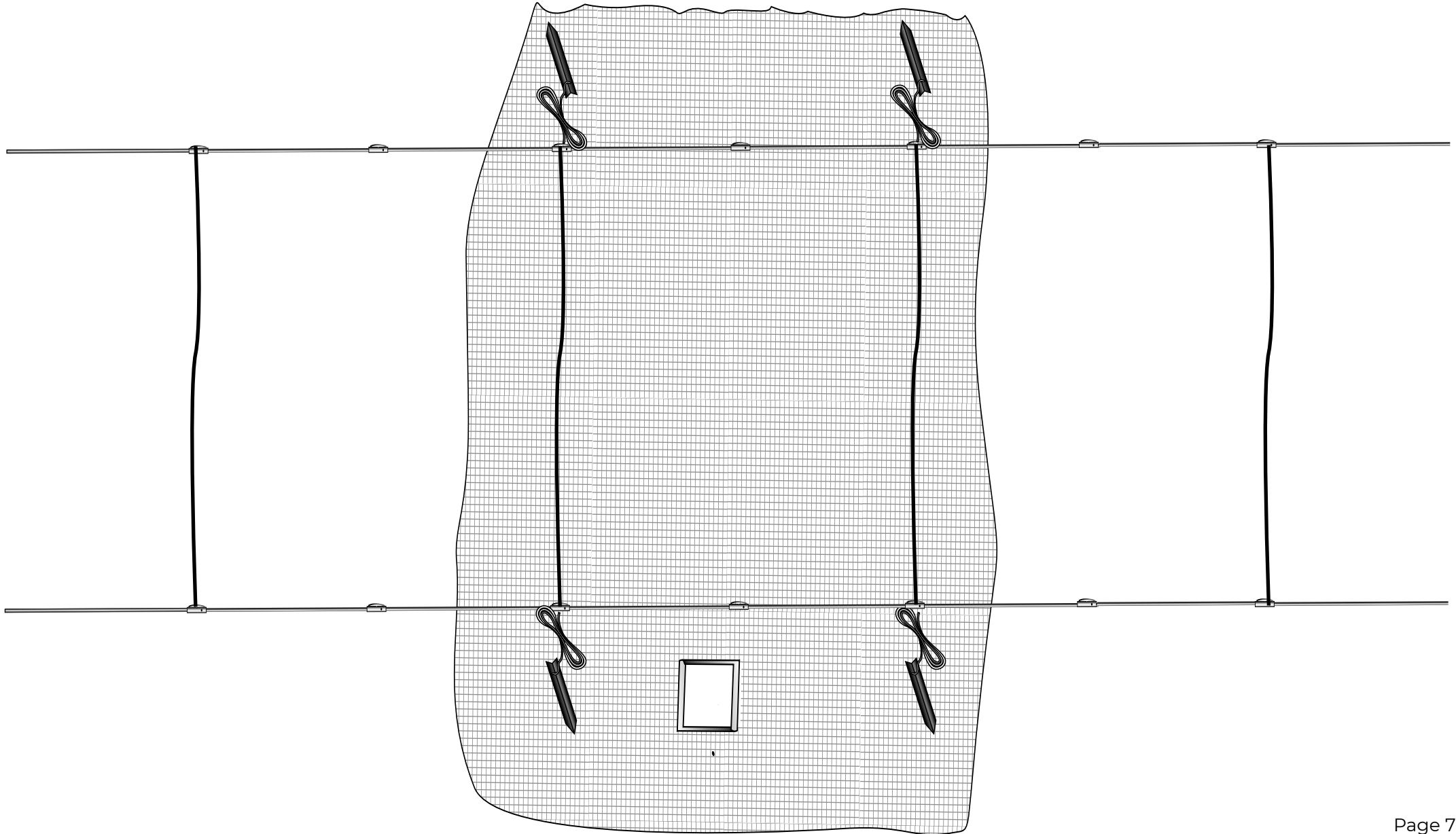
**STEP 2:** Tie 4 Black Guide Ropes to each metal fiberglass rod fitting as shown below. There will be some fittings with no rope. Then, attach White Support Rope & Stake (4x) to fittings shown below.

**IMPORTANT: Attach Rope to the Actual Fiberglass Rod fitting, not the smaller metal arch welded on the fitting.**



# NET ASSEMBLY

**STEP 1:** Unfold the Batting Cage Net and spread the net over the length of the cage frame. Ensure cage warning label tag is facing outside of cage.



**STEP 2:** Starting with one of the arches, grab one side and ask someone else grab the other end. Together, carefully raise the poles and insert into the ground stakes (See Fig. 1). Repeat this for the remaining arch so the cage stands upright.

Next, spread the netting evenly over the frame so there is equal parts netting touching all sides of the ground surrounding the cage.

Finally, Locate the White Support Ropes and select 1 hole in the netting that's in line with the arch. Push the support stake through this hole so the white ropes and 4 support stakes are outside the cage, then stake each one in the ground slightly wider than the width of the cage for best support.

**NOTE:** *The cage should look like the image below. You may need to loosen/tighten cage or support ropes to tweak the angle of the arches.*

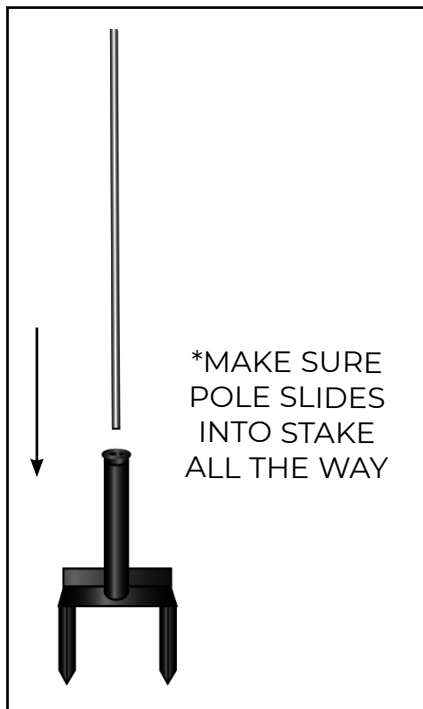


Figure 1

