

# Read This Before Operating The Heater Pro

## **IMPORTANT OPERATING INSTRUCTIONS**

**THE HEATER PRO BOWLING MACHINE THROWS REAL REGULATION BALLS; HOWEVER, THE ACCURACY OF THE HEATER DEPENDS ON THE QUALITY, HARDNESS AND TYPE OF BALLS YOU USE IN THIS MACHINE!**

**HEATER SPORTS RECOMMENDS** USING HEATER BOWLING MACHINE BALLS IN THE HEATER PRO MACHINE. THESE BALLS HAVE BEEN PRECISELY CRAFTED TO PROVIDE YOU WITH HOURS OF ACCURATE, TROUBLE FREE BATTING AND FIELDING PRACTICE.

### **Heater Bowling Machine Balls**

\_\_\_\_\_ **Heater Bowling Machine Balls are recommended for use with the Heater Pro Machine.** These balls are incredibly accurate, long lasting, and produce the fastest ball speed.

### **Regulation Leather Balls:**

\_\_\_\_\_ The Heater Pro Bowling Machine works well with real leather balls; however, accuracy will vary more than with bowling machine balls because the seams on leather balls cause the machine to pinch the ball differently on each pitch. Be sure and use real leather balls, not simulated leather balls. Batters should be aware at all times.

## **KNOWN PROBLEMS WITH SIMULATED (SYNTHETIC) LEATHER COVERED BALLS . . .**

### **Simulated (synthetic) leather balls:**

Simulated leather balls are inexpensive seamed balls that don't work well in the Heater Pro Machine. During operation, portions of the simulated leather cover comes off the ball and attaches to the wheel of the Heater Pro. Also, during operation, consumers have reported seeing small puffs of smoke coming out of the Heater Pro. These puffs are not smoke, but actual pieces of the simulated leather ball being turned into small dust particles as they pitch out of the Heater Pro Bowling Machine.

**IF BALLS GET WET, THEY WILL NOT PITCH PROPERLY UNTIL THEY DRY.**

### **KNOWN FACTS ABOUT DIFFERENT BALLS:**

The speed and accuracy of each pitch is dependent on the hardness, roundness, and type of each ball used.

For example: If you have 12 balls and four are softer than the others (these balls will throw lower than the other balls), if four are harder than the others (these balls will throw higher than the other balls), and if four are not round (these balls will throw inside and outside). THIS LEAVES THE USER WITH THE IMPRESSION THAT THE HEATER PRO BOWLING MACHINE IS INACCURATE WHICH IS NOT CORRECT.





# CRICKET BOWLING MACHINE INSTRUCTIONS

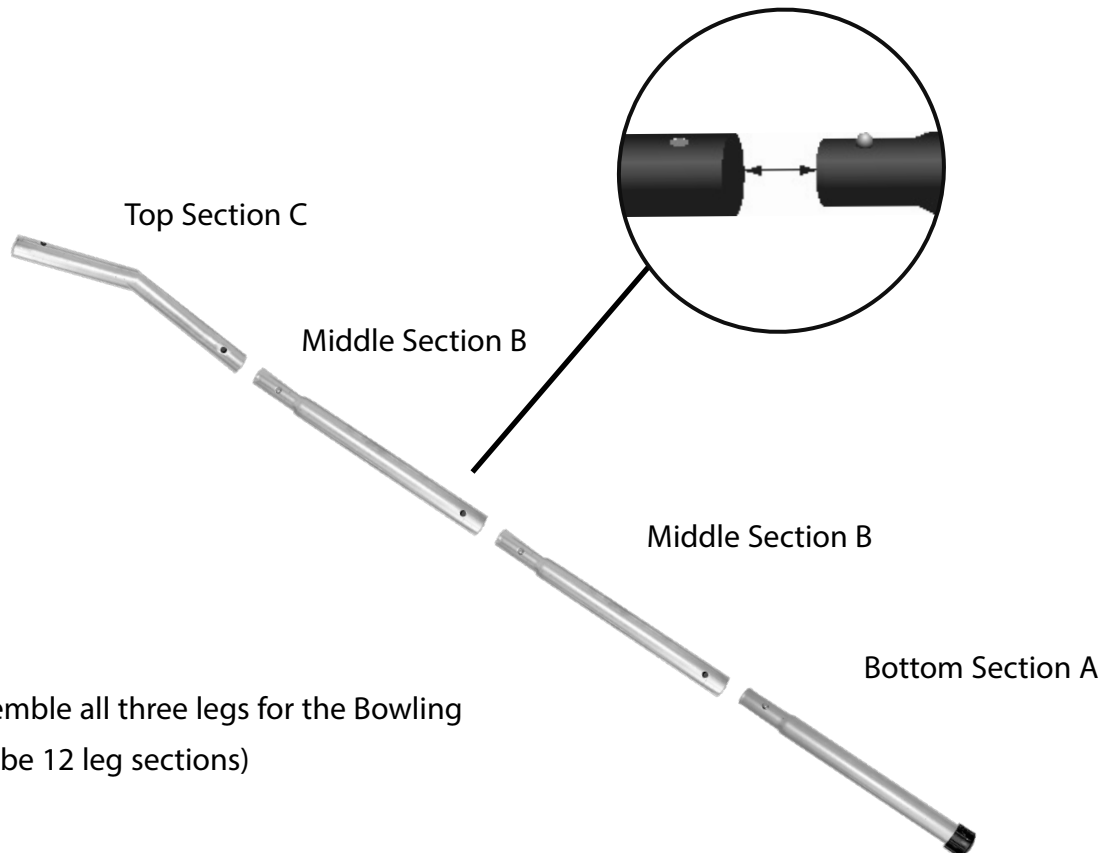
## IMPORTANT

**DO NOT RETURN THIS BOWLING MACHINE TO THE RETAIL STORE WHERE PURCHASED.  
CALL TOLL FREE: (800) 492-9334.**

**WARNING:** THIS PRODUCT IS TO BE USED BY ADULTS ONLY. SERIOUS BODILY INJURY MAY OCCUR! MAKE SURE MACHINE IS TURNED OFF BEFORE ASSEMBLY! KEEP HANDS AND ALL BODY PARTS AWAY FROM CRICKET ENTRY AND EXIT! SERIOUS HAND AND BODILY INJURY MAY OCCUR!

## LEG ASSEMBLY

**STEP 1:** Slide leg sections together (See illustration). Lock the sections together by making sure the push pins line-up with each adjoining hole and lock into place.



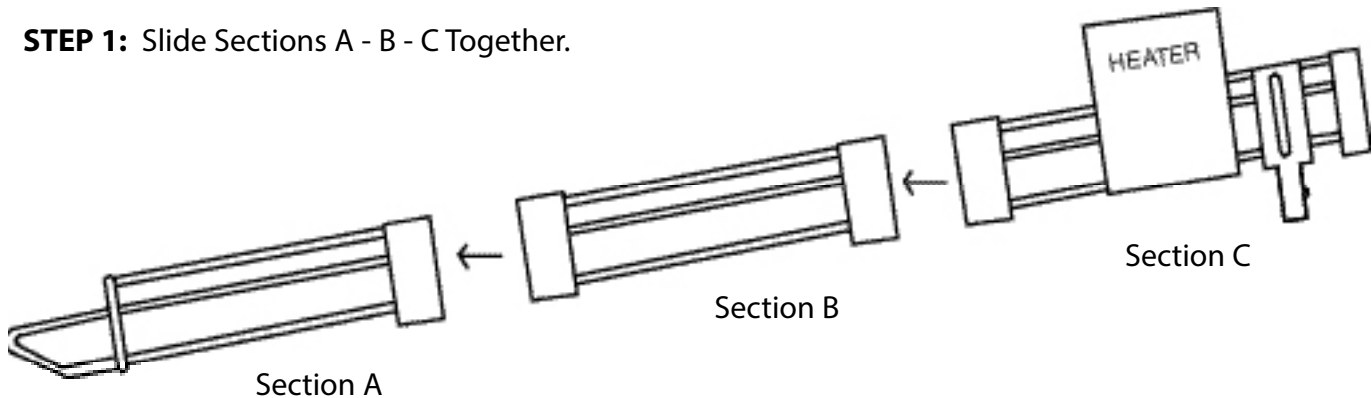
Follow Step 1 to assemble all three legs for the Bowling Machine. (There will be 12 leg sections)

After assembling Pivot Arm and Housing, slide the 3 leg sections into the Tripod Bracket Leg Supports and secure with the Thumbscrews. Thumbscrews should insert into top leg hole and secure leg to tripod.

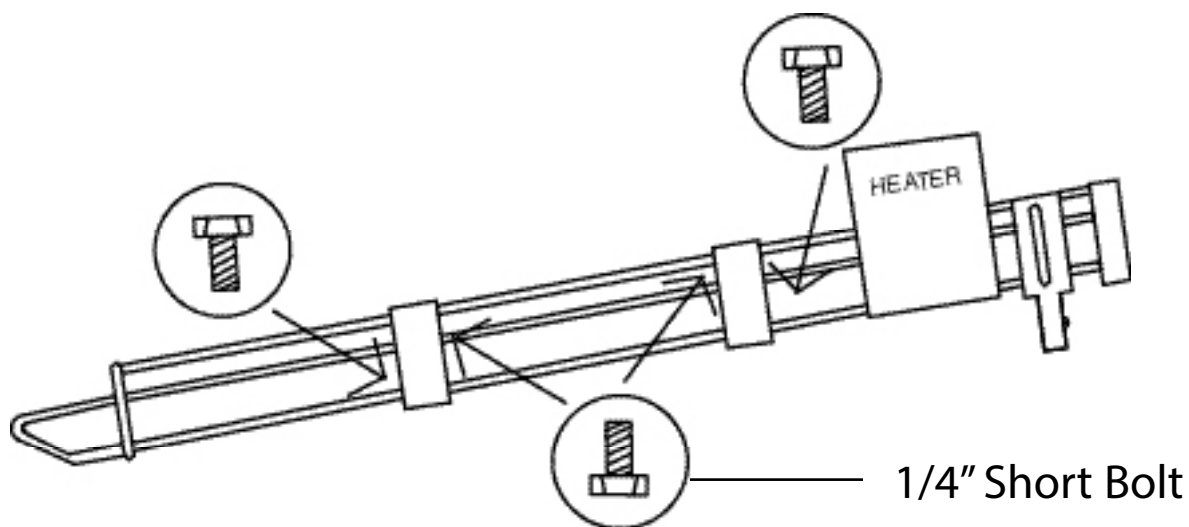


## **BOWLING MACHINE AUTO-BALL FEEDER ASSEMBLY**

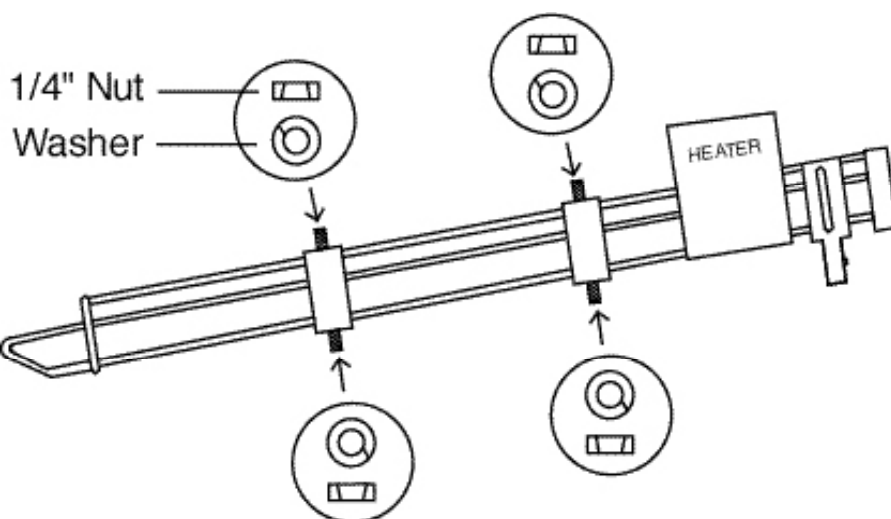
**STEP 1:** Slide Sections A - B - C Together.



**STEP 2:** Insert 1/4" Short Bolt From Inside Of Feeder Through Hole In Feeder Bracket (4X).



**STEP 3:** Place Washer Over Short Bolt. Screw on Nut And Tighten Nut (4X).






### **WARNING • WARNING**






- Turn off bowling machine and auto-ball feeder motor when loading balls.
- Make sure bowler is ready before turning on auto-ball feeder and machine.
- Make sure all persons stand clear of bowling machine and ball path.
- Make sure all persons are aware bowling machine is throwing balls automatically.
- Make sure machine operator is ready to turn off auto-ball feeder power switch if necessary.

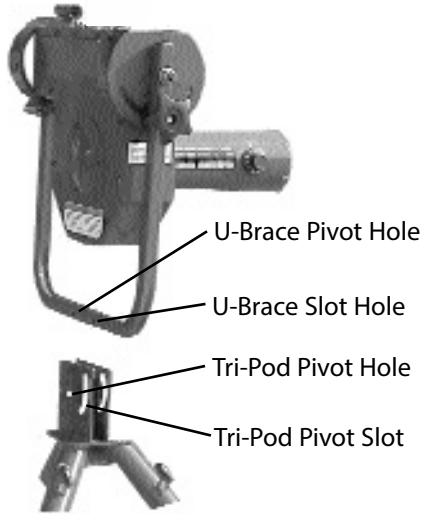
# HEATER PRO HEIGHT ADJUSTMENT PARTS LIST

## Tri-Pod Pivot Hole Hardware

-   
 (A)  
 Hex Head Bolt (Qty1)
-   
 (B)  
 Metal Washer (Qty 2)
-   
 (C)  
 Nylon Hex Nut (Qty 1)

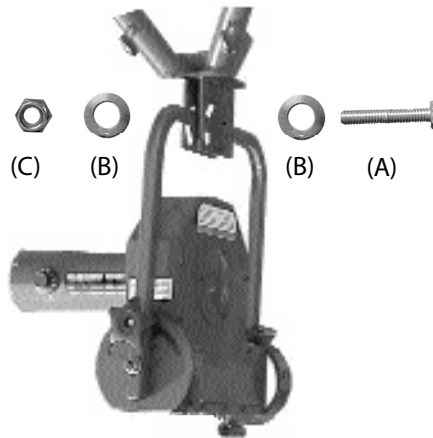
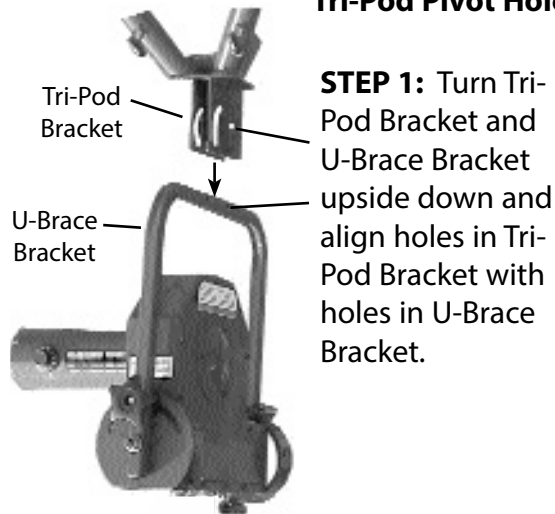
## Tri-Pod Slot Hardware

-   
 (D)  
 Carriage Bolt (Qty1)
-   
 (E)  
 Plastic Washer (Qty 2)
-   
 (F)  
 Metal Washer (Qty 1)
-   
 (G)  
 Teeth Washer (Qty1)
-   
 (H)  
 Knob (Qty1)

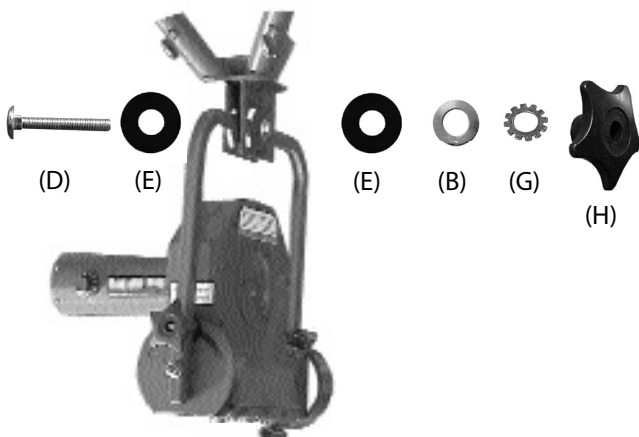


# HEATER PRO HEIGHT ADJUSTMENT ASSEMBLY INSTRUCTIONS

## Tri-Pod Pivot Hole Assembly



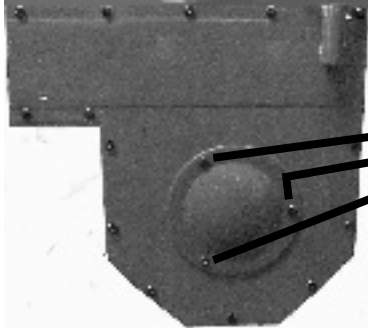
## Tri-Pod Slot Assembly



# Pre-Operating Instructions

## Check The Air Pressure In The Heater Bowling Machine Tire.

**Warning:** Make sure Heater Bowling Machine is unplugged and the tire is not spinning during these operations.



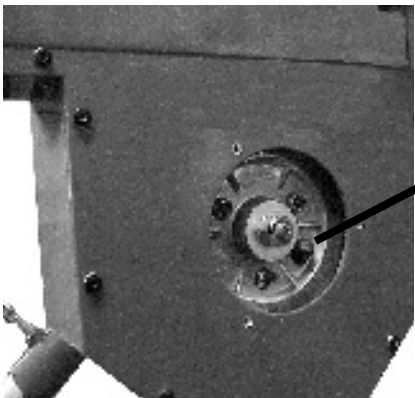
### **Pre-Operation #1**

Locate Allen Wrench (provided in package) and unscrew (3) three wheel cover screws.

### **Important:**

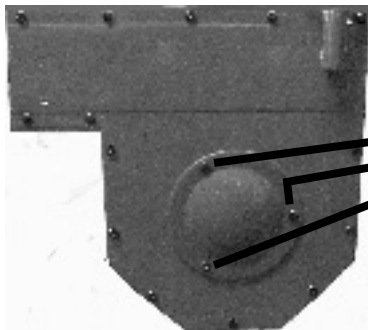
Make sure machine is unplugged and tire is not spinning during the following operations.

••• Periodically inspect the tire to make sure it is not worn out or punctured. Serious damage could result if operated in this condition •••



### **Pre-Operation #2**

Locate a tire Pressure Gauge and check tire air pressure. Tire pressure should be between 30 - 32 lbs. psi. If tire pressure reads low, use an air pump to inflate the tire to 30 - 32 lbs. psi. If tire pressure reads high, decrease the air pressure by pushing down the air stem bubble located in the middle of the air stem. ••Inspect the air pressure periodically to make sure air pressure is still within the 30 - 32 lbs. psi range. ••



### **Pre-Operation #3**

Locate Allen Wrench (provided in package) and secure Wheel Cover back on machine by tightening (3) three Wheel Cover Screws.

**Warning - Serious Bodily Injury:** Never operate Heater Bowling Machine until Wheel Cover is secured on the Heater Bowling Machine with the (3) three Wheel Cover Screws.

## Check Heater Fuse Reset Button



### **Fuse Re-Set Button**

The Heater Bowling Machine has a fuse reset button which is designed to protect the electronic circuit in the Heater Bowling Machine. If the Heater will not turn on, check this button to make sure it is not popped out. If it is popped out, press it back in to reset the fuse circuit breaker. This should allow the Heater to operate safely again.



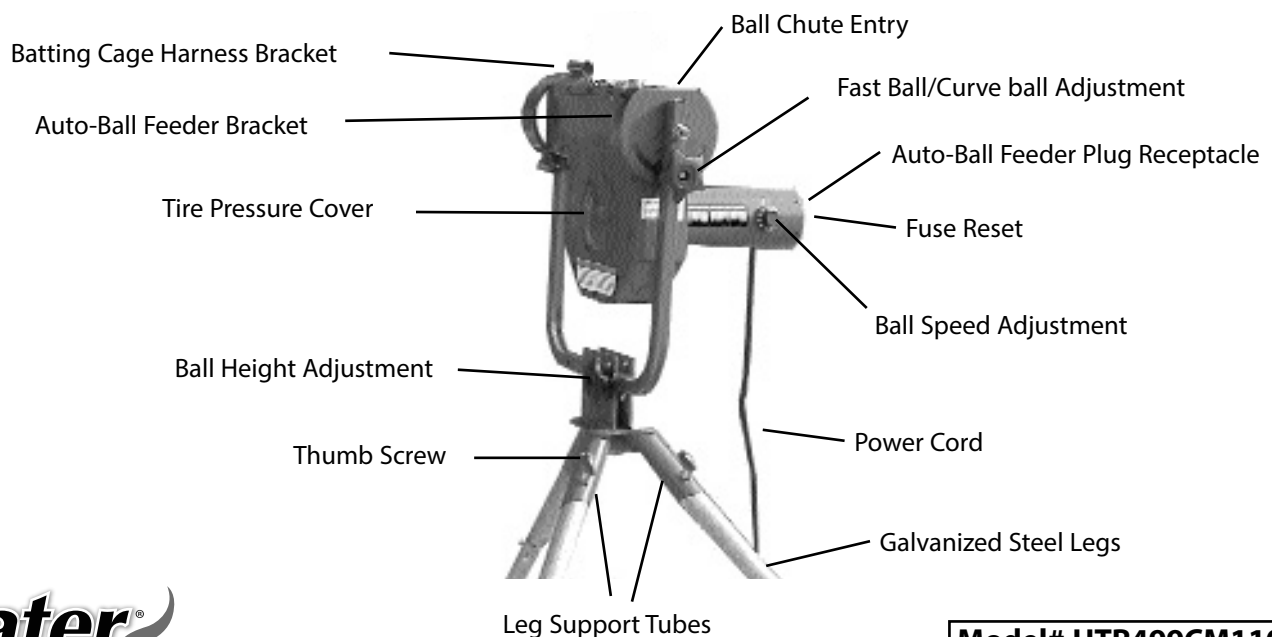
# Cricket Bowling Machine Instructions

## **CAUTION!**

**USE HEATER BOWLING MACHINE BALLS FOR THE MOST ACCURATE PITCH POSSIBLE. BOWLING MACHINES THAT USE A WHEEL TO THROW BALLS WILL NOT THROW REAL BALLS AS ACCURATE BECAUSE OF THE SEAMS ON THE BALL.**

**IMPORTANT: THIS PRODUCT IS TO BE USED BY ADULTS ONLY. MAKE SURE MACHINE IS TURNED OFF BEFORE ASSEMBLY! KEEP HANDS AND ALL BODY PARTS AWAY FROM BALL EXIT! SERIOUS HAND AND BODILY INJURY MAY RESULT IF USED INCORRECTLY!**

- Step 1: Slide galvanized steel legs into leg support tubes and tighten thumb screws.
- Step 2: Insert auto-ball feeder tubes into auto-ball feeder bracket (2X) and plug into receptacle.
- Step 3: Place balls into auto-ball feeder. (Make sure the bowling machine is not plugged in.)
- Step 4: Turn bowling machine variable speed control knob off (counter-clockwise until you hear a click).
- Step 5: Plug bowling machine into 3 prong power outlet. (Make sure bowling machine wheel is not spinning.)
- Step 6: Aim bowling machine at desired target.
- Step 7: Make sure every person and everything is clear of bowling machine ball path.
- Step 8: Turn variable speed control knob on to desired speed setting and turn on auto-ball feeder.
- Step 9: Make sure ball is bowling in desired strike zone before allowing a bowler to step up to hit.
- Step 10: Adjust cricket pitch height by loosening the Pitch Height Adjustment Knob and rotating the Cricket Housing to desired location. Re-tighten Pitch Height Adjustment Knob.



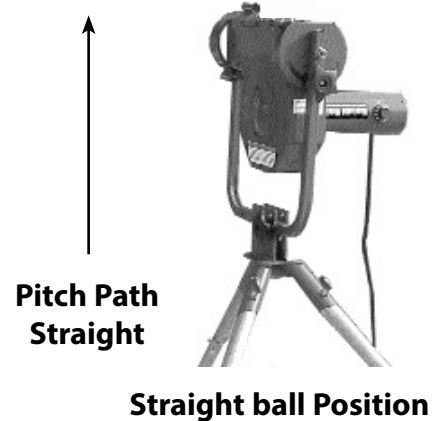


# Cricket Bowling Machine Instructions

## **WARNING!**

ROTATING THE HEAD OF THE HEATER PRO FROM FAST BALL TO CURVE BALL POSITIONS CHANGE THE DIRECTION AND TRAJECTORY OF THE PITCHED BALL. MAKE SURE NO PERSONS ARE IN FRONT OF MACHINE WHILE ADJUSTING FOR FAST BALL OR CURVE BALL PITCHES.

**CAUTION:** When machine is rotated for different pitch types, the ball direction changes dramatically. Make sure no persons are in front of machine until machine is aimed properly and bowling accurately at desired target.



## **WARNING**

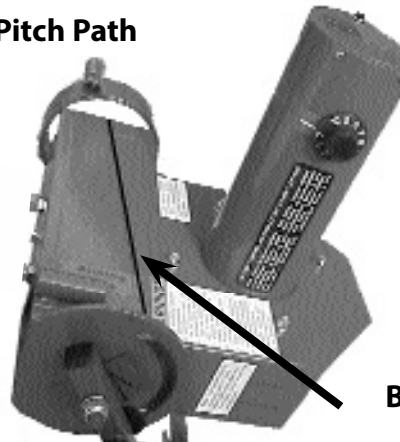
When machine is pivoted for different pitch types, the pitch direction can move left or right by up to 30 feet. Use extreme caution when changing between pitch types. Never change pitch types with any person in front of machine.

Pitch Path  
To the Left



Break Left Curve

Pitch Path



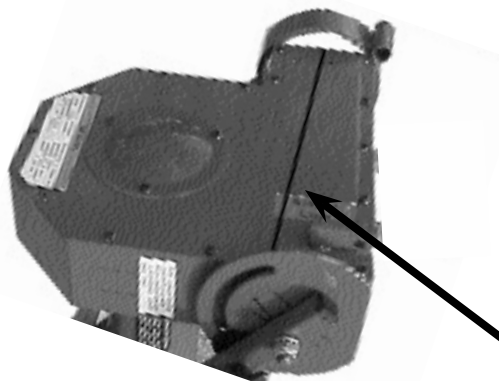
Break Left Curve  
Aim Line

Pitch Path  
To the Right



Break Right Curve

Pitch Path



Break Right Curve  
Aim Line

**The Aim Line** is an estimation only. Ball direction may vary dramatically. Never allow anyone to stand in front of machine before machine is bowling to the desired target.

## WARNING!

- Do not put hands or fingers in bowling machine.
- Make sure all persons are clear of the ball path and away from bowling machine before bowling any ball.
- Make sure you pitch only one ball at a time.
- Make sure all balls are out of machine before turning the bowling machine on.
- Do not stand in front of bowling machine.
- Do not operate in moisture.
- Batter must wear NOCSAE Approved Batting Helmet.
- This machine may cause serious bodily injury if used improperly.
- For adult operation only.

## WARNING!

- Heater bowling machine balls are the most accurate balls for use in the Heater Pro Machine. Real leather balls can be used but aren't as accurate because of the ball seams. Batter should be aware at all times.
- Always have legs set on the ground before bowling to a bowler or the Heater Pro Bowling Machine may move and hit the bowler causing serious physical injury.
- Make sure you pitch only one ball at a time.
- Bowling Machine Operator must stand behind protective safety screen.

### WARNING • WARNING • WARNING

- **Make sure bowling machine is aimed and throwing properly before allowing bowler to step up and hit balls pitched from the Heater Pro Bowling Machine.**
- Turn off bowling machine and auto-ball feeder motor when loading balls.
- Make sure bowler is ready before turning on auto-ball feeder and machine.
- Make sure all persons stand clear of bowling machine and ball path.
- Make sure all persons are aware bowling machine is throwing balls automatically.
- Make sure machine operator is ready to turn off auto-ball power switch if necessary.
- Power Cords over 20 feet can lose energy and cause the Heater to pitch slower than normal.

### HEATER SPEED CONTROL DIAL SPEEDS

**Knob Setting = 10, Est. Speed = 50 MPH • Knob Setting = 9, Est. Speed = 46 MPH  
Knob Setting = 8, Est. Speed = 42 MPH • Knob Setting = 7, Est. Speed = 38 MPH  
Knob Setting = 6, Est. Speed = 34 MPH • Knob Setting = 5, Est. Speed = 30 MPH  
Knob Setting = 4, Est. Speed = 26 MPH • Knob Setting = 3, Est. Speed = 22 MPH  
Knob Setting = 2, Est. Speed = 18 MPH • Knob Setting = 0, Est. Speed = 0 MPH**

Thank you for purchasing the Heater Pro Bowling Machine. If you have any questions or comments on how Heater Sports can improve the Heater Bowling Machine, please call our 24 hour customer service hotline at (800) 492-9334.



**Model# HTR499CM110V**

95 West 650 South • St. George, Utah 84770 • PH: 800-492-9334 • PH: 435-656-1756 • Fax: 435-688-0741